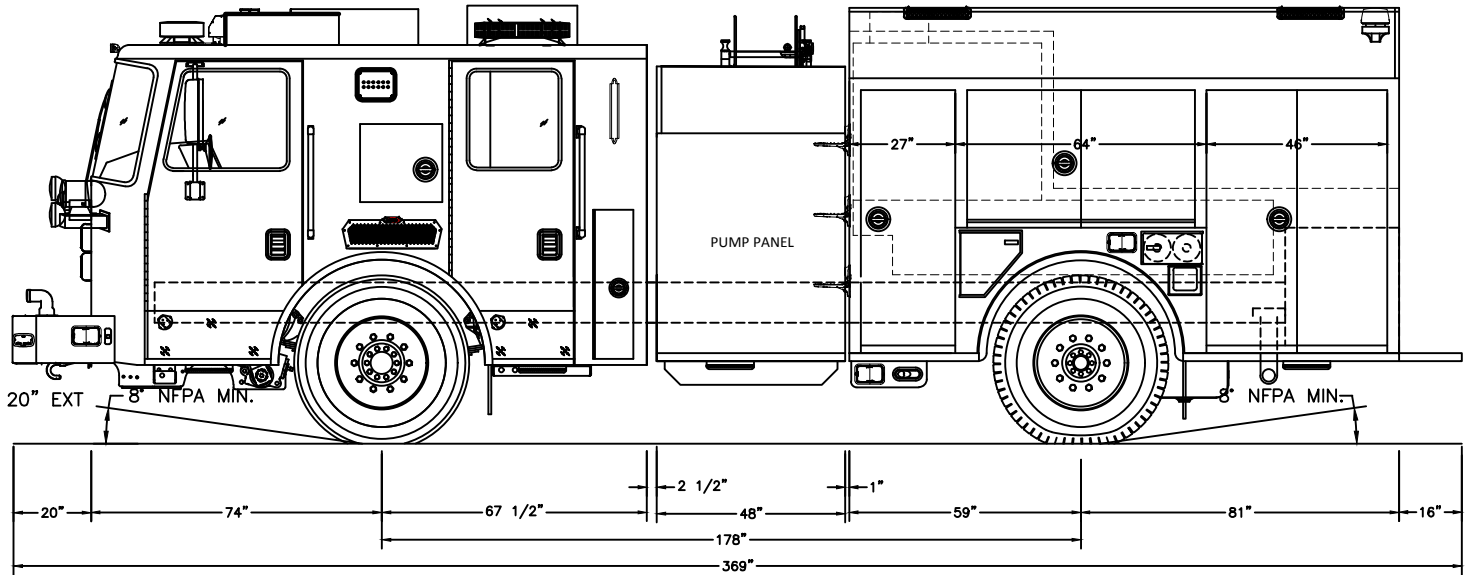
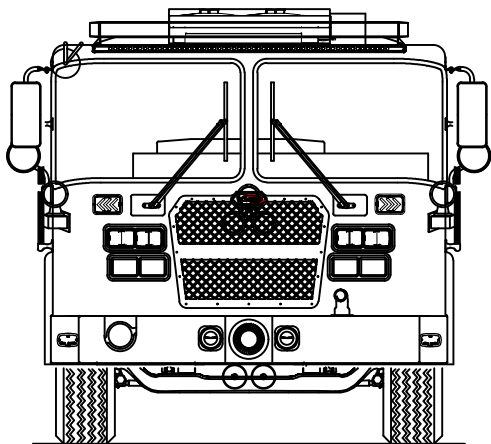
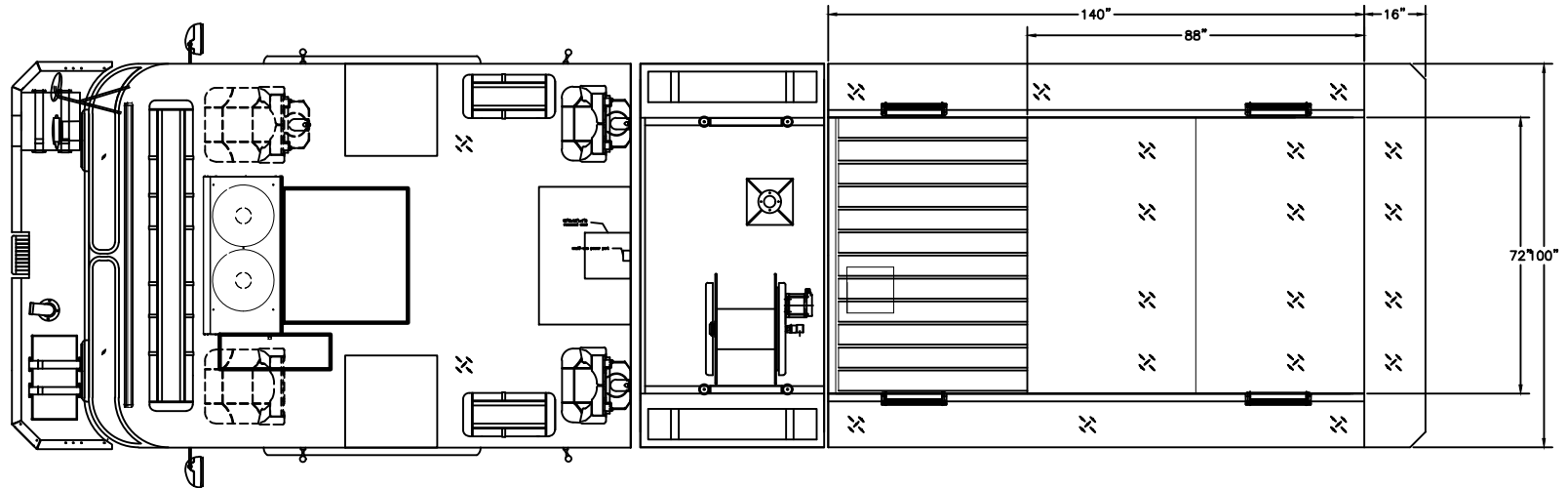
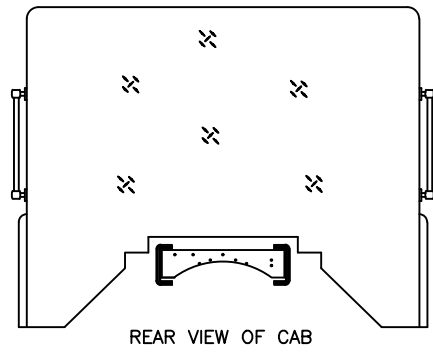
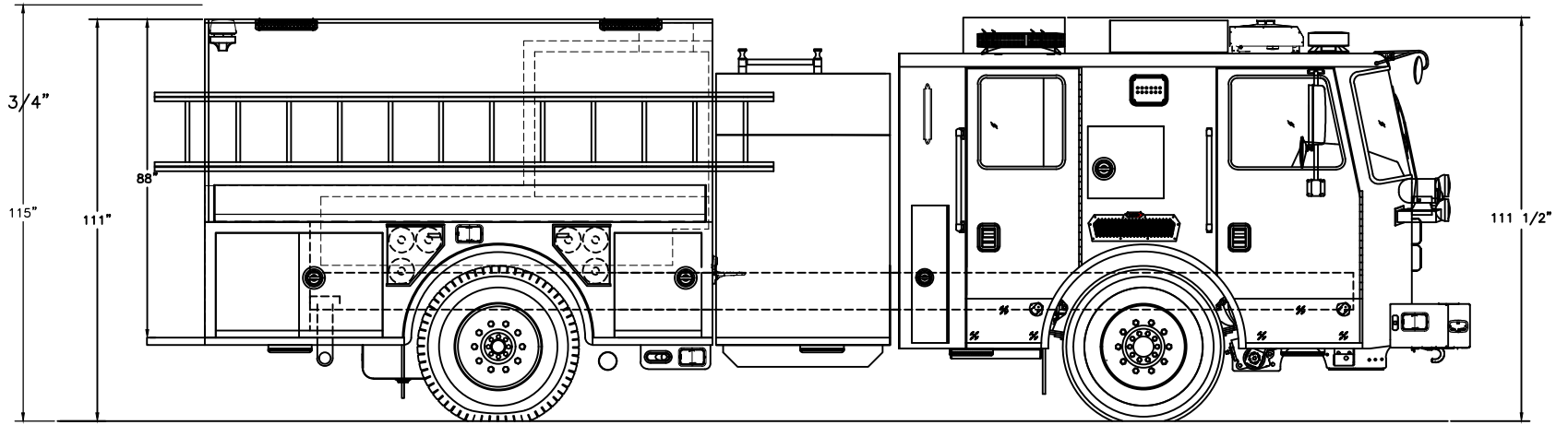


HOSELOAD=  
 200' OF 1 3/4"  
 200' OF 1 3/4"  
 1,000' OF 5"  
 400' OF 2 1/2" w/100' OF 1 3/4"  
 200' OF 2 1/2"  
 400' OF 2 1/2"



CAB: 100"W KME SEVERE SERVICE LFD FLAT ROOF  
 ENGINE & TRANS: CUMMINS L9 450 HP/ALLISON 3000 EVS  
 AXLES: 20,000# STEERTEK FRONT/27,000# REAR  
 PUMP: WATEROUS CS C20 1500 GPM SINGLE STAGE  
 WATER TANK: 750 GALLONS POLY  
 BODY TYPE: 140" FLUSH BACK 3/16" ALUMINUM

THIS DRAWING IS A GENERAL CONFIGURATION AND MAY NOT NECESSARILY REFLECT ALL CONTRACTUAL REQUIREMENTS. CONTRACT SPECIFICATIONS SHALL PREVAIL OVER DRAWING.

**CUSTOMER APPROVAL:**

NAME: \_\_\_\_\_

TITLE: \_\_\_\_\_

DATE: \_\_\_\_\_

SYM	DATE	REVISION DESCRIPTION	APP'D
A	2/6/2020	PRECON UPDATE	JAE
SALES ENGINEER : JARED EICKHOFF			

DIMENSIONS ARE APPROXIMATE & MAY VARY DUE TO BUILD ADJUSTMENTS			
SCALE	DWG SIZE	DRAWN BY	DATE
NONE	B	MJH	8-27-19
APPROVED BY			
KME CUSTOM PUMPER			
LELAND FIRE/RESCUE DEPT. NC			
GSO# 11255			

