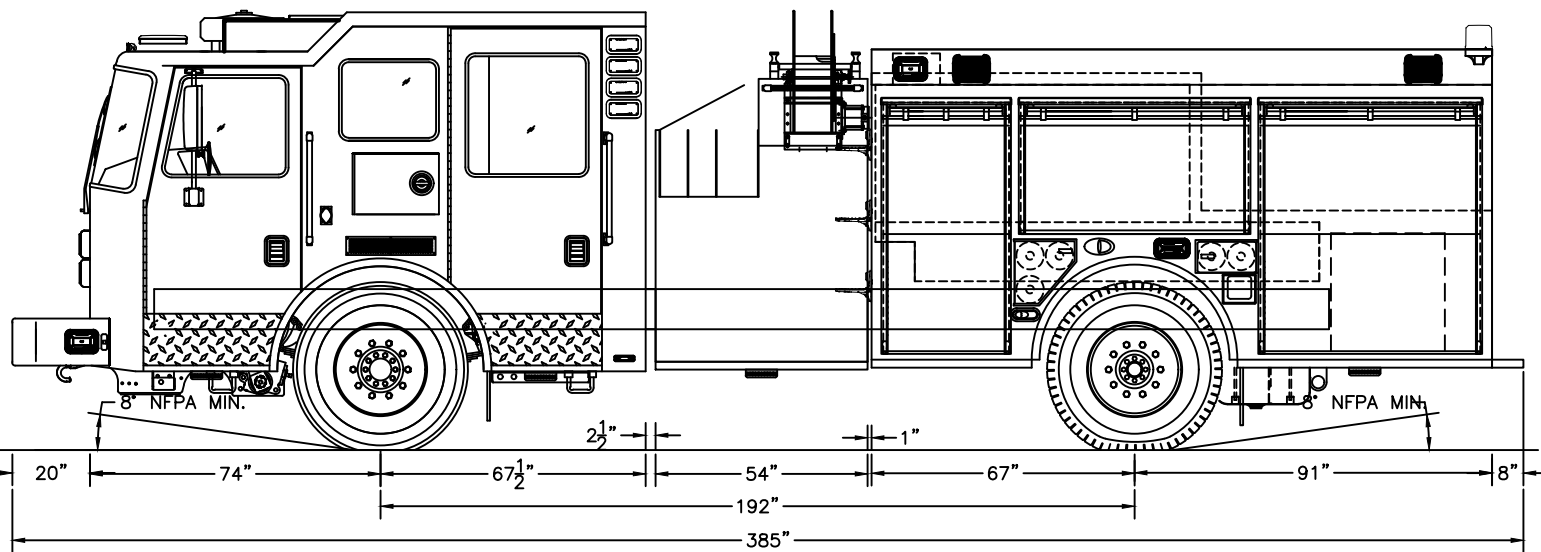
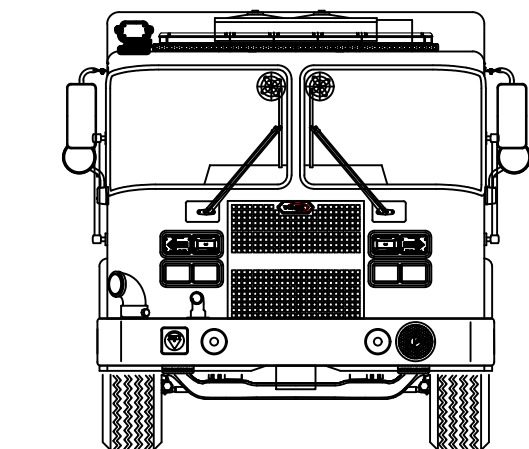
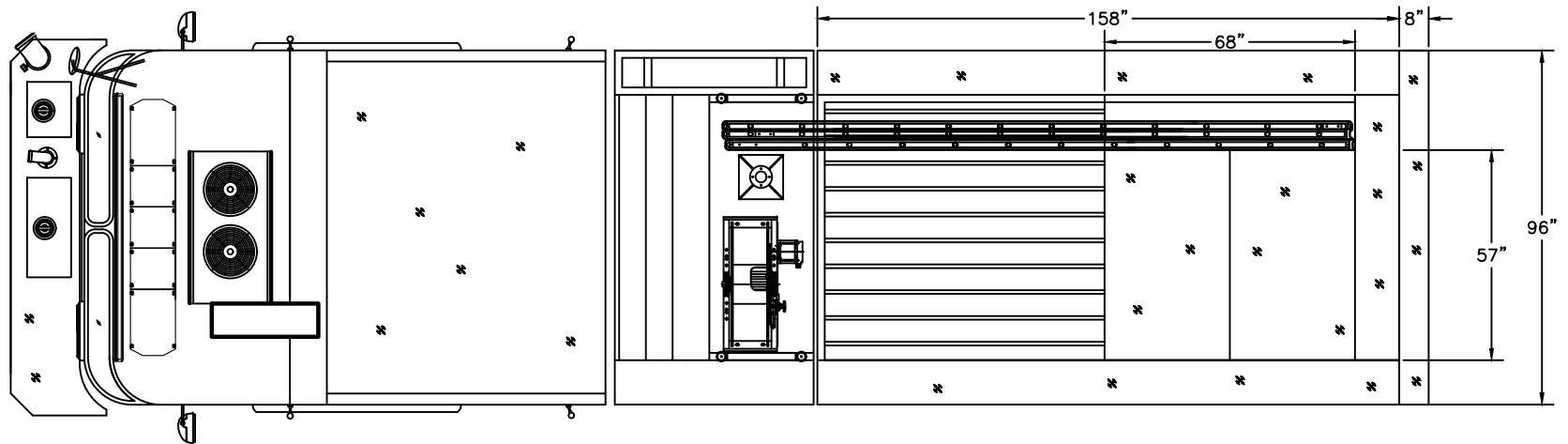
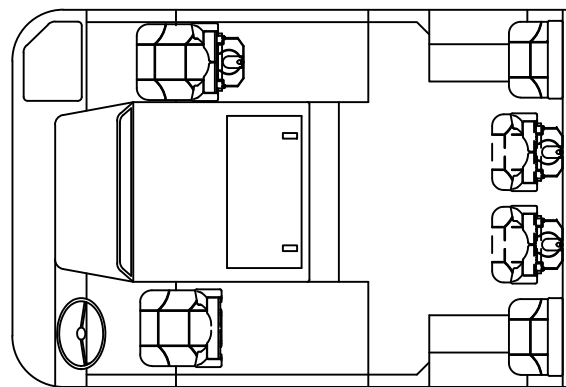
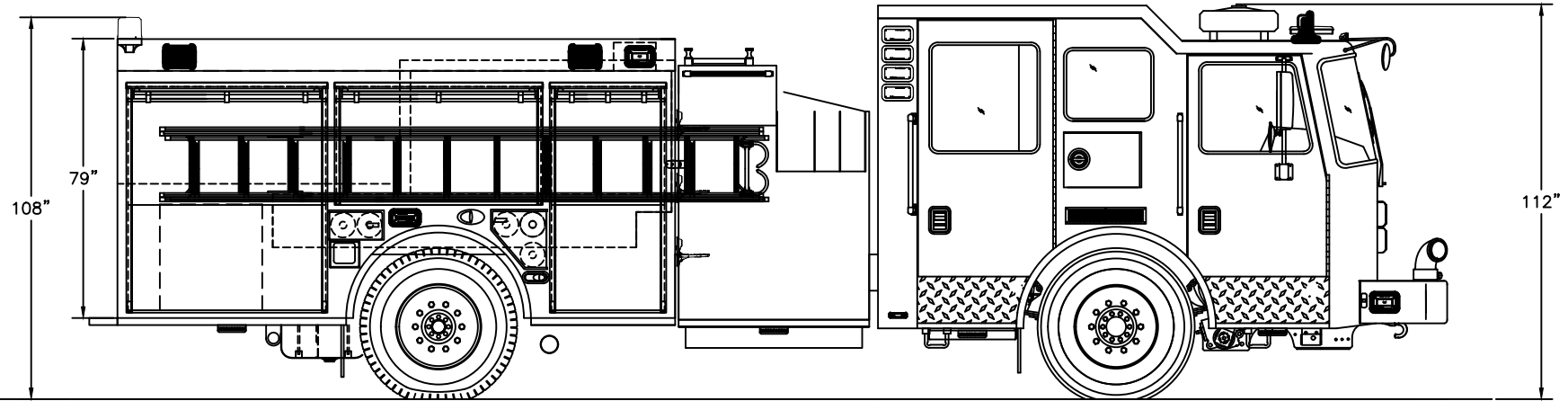
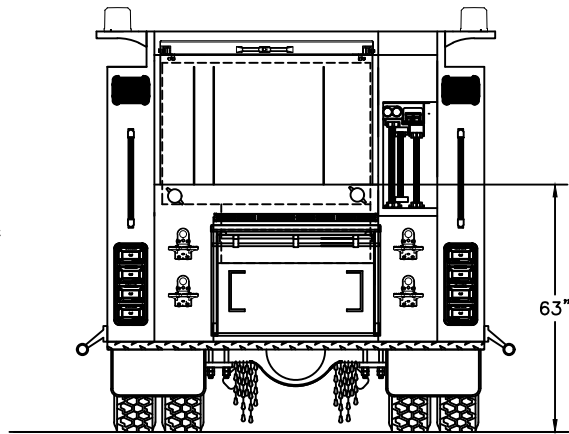


HOSE LOAD =
 800' OF 4"
 600' OF 2 1/2"
 200' OF 1 3/4"



CAB: 96"W KME SEVERE SERVICE LFD 10" RR
 ENGINE & TRANS: CUMMINS X12 500HP/ALLISON 4000 EVS
 AXLES: 22,000# STEERTEK FRONT/27,000# REAR
 PUMP: WATEROUS CSU C20 1500 GPM SINGLE STAGE PUMP
 WATER TANK: 750 GALLONS POLY
 BODY TYPE: 158" FLATBACK 3/16" ALUMINUM 96" WIDE
 FOAM SYSTEM: N/A

THIS DRAWING IS A GENERAL CONFIGURATION AND MAY NOT NECESSARILY REFLECT ALL CONTRACTUAL REQUIREMENTS. CONTRACT SPECIFICATIONS SHALL PREVAIL OVER DRAWING.

CUSTOMER APPROVAL:

NAME: _____
 TITLE: _____
 DATE: _____

SYM	DATE	REVISION DESCRIPTION	APP'D
SALES ENGINEER : TBD			

DIMENSIONS ARE APPROXIMATE & MAY VARY DUE TO BUILD ADJUSTMENTS			
SCALE	DWG SIZE	DRAWN BY	DATE
NONE	B	MJH	11/5/2019
APPROVED BY			
CUSTOM PUMPER			
QUINCY, MA			
QUOTE# 4145-2			

KME
 RES GROUP
 ONE INDUSTRIAL COMPLEX - NESQUEHONING, PA 16240