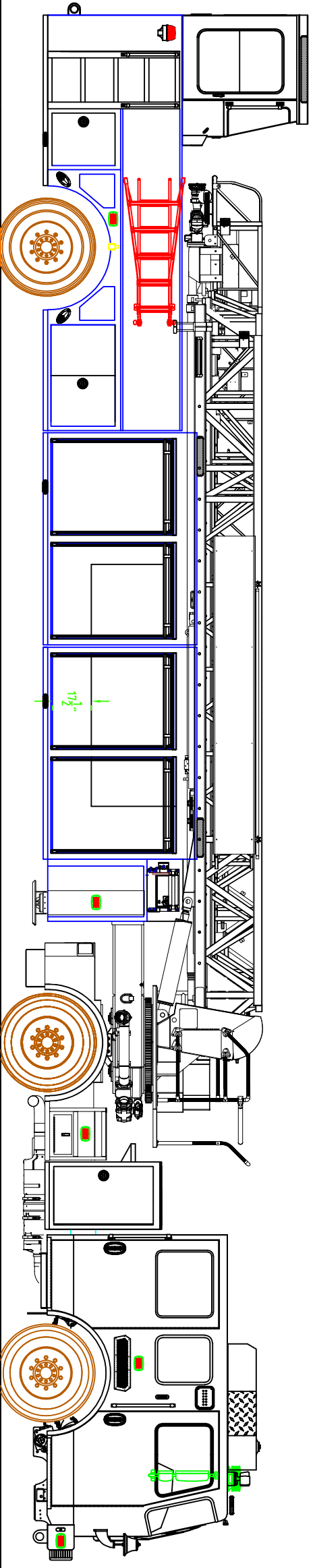
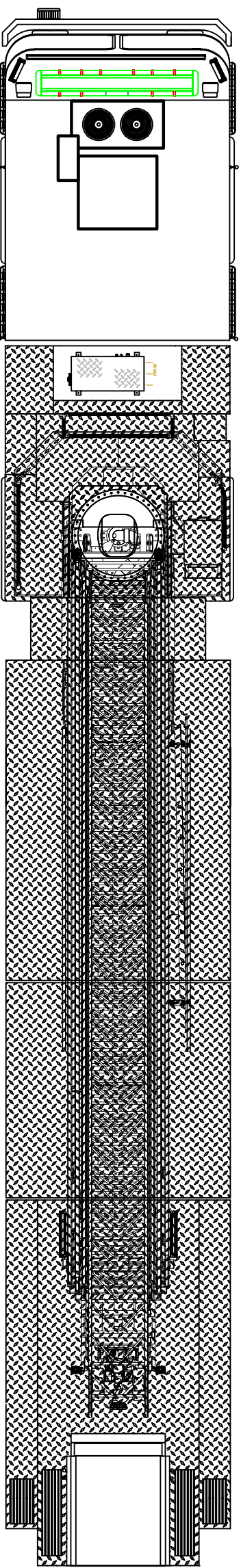


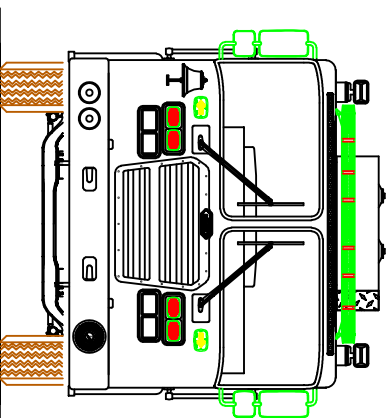
REAR VIEW



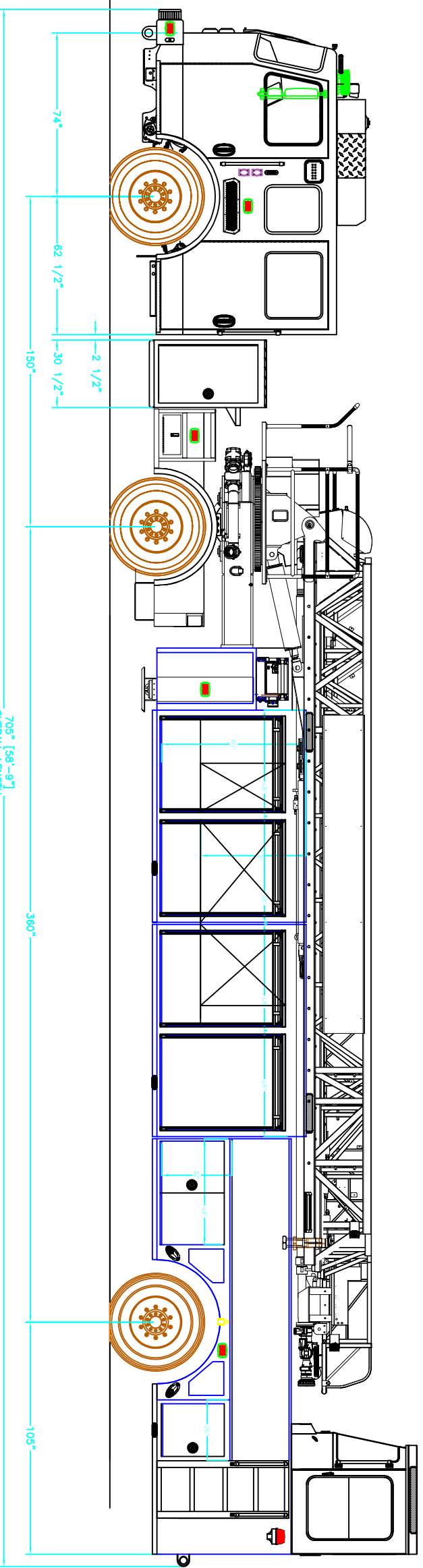
OFFICERS SIDE VIEW



TOP VIEW



FRONT VIEW



DRIVERS SIDE VIEW

CAB: PREDATOR MFD FLAT ROOF
 ENGINE & TRANS: CUMMINS X15 600 /ALLISON 4500 EVS
 AXLES: 22,000# FRONT/31,000# REAR/ 23,000# TILLER
 PUMP: N/A
 WATER TANK: N/A
 GENERATOR: SMART POWER HR 10KW

THIS DRAWING IS A GENERAL
 CONFIGURATION AND MAY NOT
 REFLECT THE ACTUAL
 CONTRACTUAL REQUIREMENTS.
 CONTRACT SPECIFICATIONS SHALL
 PREVAIL OVER DRAWING.

CUSTOMER APPROVAL:

NAME:
 TITLE:
 DATE:

SY#	DATE	REVISION DESCRIPTION	APP'D
A	06/22/20	PRIE CON UPDATES	ZCZ
B	07/02/20	FRI Updates	ZCZ
C	09/04/21	DRAWING UPDATED USING ENGINEERING RELEASES	ZCZ

DIMENSIONS ARE APPROXIMATE & MAY VARY DUE TO BUILD ADJUSTMENTS			
SCALE	DWG SIZE	DRAWN BY	DATE
NONE	B	ZSCHUNKE	09/19/19
101' TRACTOR DRAWN AERIAL LADDER		APPROVED BY	
		J BEHLER	
HILLSBORO, OR			

SALES ENGINEER : ZACK ZSCHUNKE

GSO 11313

