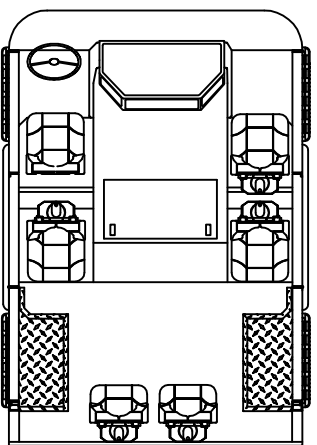
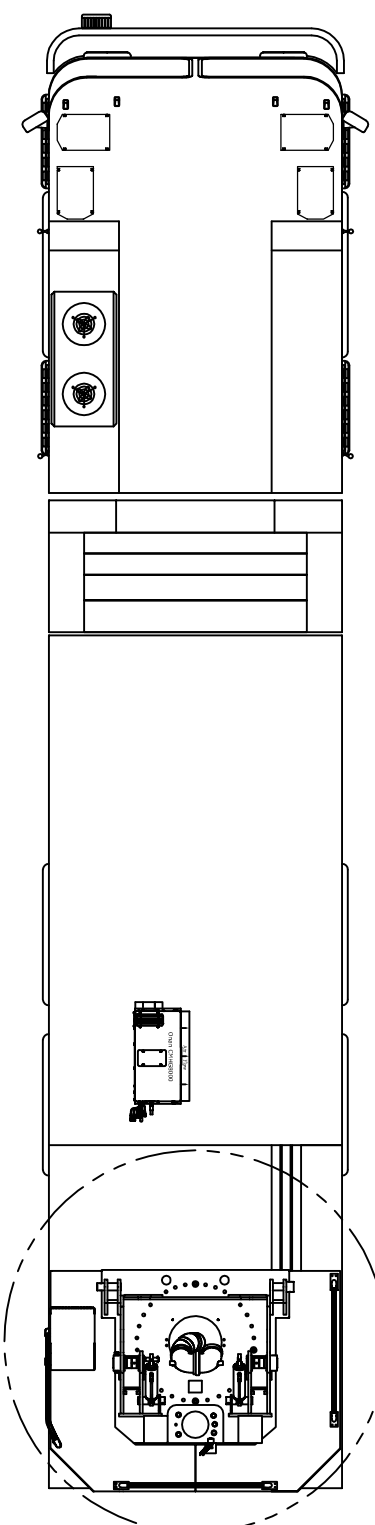


REAR VIEW

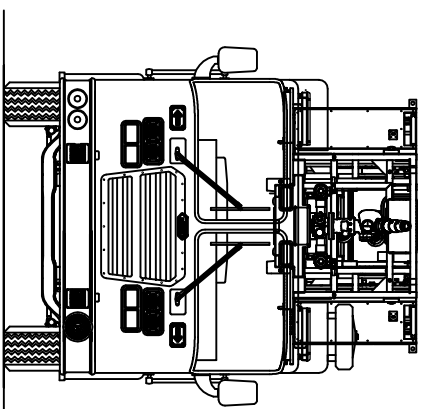
OFFICERS SIDE VIEW



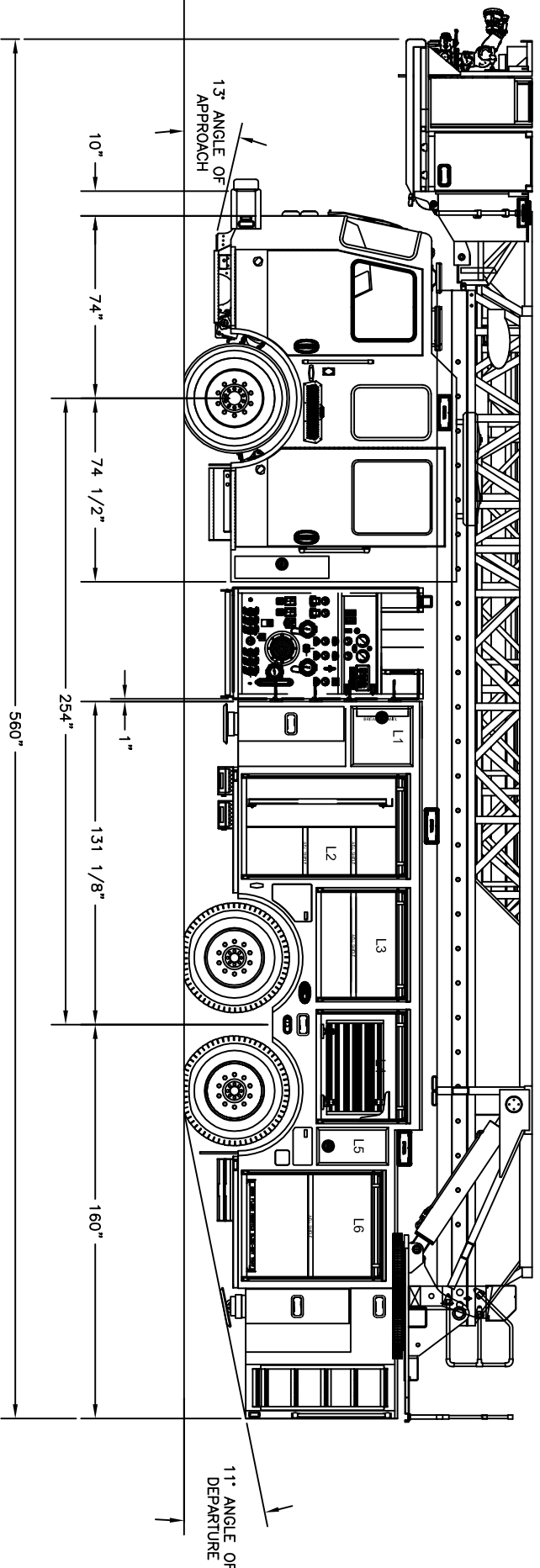
CAB INTERIOR LAYOUT



TOP VIEW



FRONT VIEW



DRIVERS SIDE VIEW

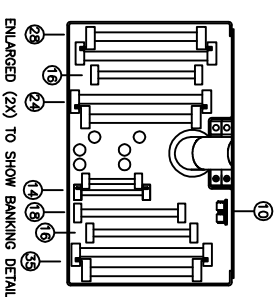
SPECIFICATIONS

CHASSIS: PREPATOR LED w/ 10" RAISED ROOF
 ENGINE: CUMMINS ISX-15 600 HP w/ ENGINE BRAKE
 TRANSMISSION: ALISON 4000EVS 5-SPEED AUTOMATIC
 FRONT AXLE: DANA 1-220W #24,000
 REAR AXLE: MERTOR RT-59-185 #60,000
 PUMP: HALE QMXX-200 2,000 GPM SINGLE STAGE PUMP
 TANK: N/A

NOTES

GROUND LADDERS

- 1 - DUO-SAFETY 35' 2-SECTION: 1200-A35
- 1 - DUO-SAFETY 28' 2-SECTION: 1200-A28
- 1 - DUO-SAFETY 24' 2-SECTION: 900-A24
- 2 - DUO-SAFETY 18' ROOF w/ FOLDING HOOKS: 875-A18 (ONE MOUNTED ON AERIAL DEVICE)
- 2 - DUO-SAFETY 16' ROOF w/ FOLDING HOOKS: 875-A16
- 1 - DUO-SAFETY 14' ATTIC LADDER: 701-A14
- 1 - DUO-SAFETY 10' FOLDING LADDER: 585-A10



ENLARGED (2X) TO SHOW BANKING DETAIL

DISCHARGES

- 2 - 2-1/2" LEFT SIDE
- 2 - 2-1/2" RIGHT SIDE
- 1 - 4" RIGHT SIDE
- 2 - 1-1/2" CROSSLAYS
- 1 - 2-1/2" CROSSLAYS
- 1 - 4" AERIAL WATERWAY

THIS DRAWING IS A GENERAL CONFIGURATION AND MAY NOT NECESSARILY REFLECT ALL CONTRACTUAL OBLIGATIONS. DIMENSIONS ARE APPROXIMATE AND MAY VARY DURING CONSTRUCTION. PLEASE REVIEW AND RETURN A SIGNED COPY.

NAME: _____ TITLE: _____
 DATE: _____

CUSTOMER PAINT CODES

LOWER CAB AND BODY: _____
 CAB TWO TONE: _____

LADDERS: _____

COMPARTMENT INTERIOR:

C	2/1/2017	REVISED FOR BODY RELEASE	MB
B	7/14/2016	REVISED AS PER SENT PRE-CON LTR	MB
REV	DATE	REVISION DESCRIPTION	APP'D

SALES ENGINEER : MARK BOYLE



KME KOVATOH
 KME FIRE APPARATUS
 ONE INDUSTRIAL COMPLEX
 NESQUELONING, PA 18240

THIS DRAWING IS THE PROPERTY OF KME. DO NOT COPY OR USE FOR ANY PURPOSE OTHER THAN THAT FOR WHICH SPECIFICALLY INTENDED.

102' AERIALCAT REARMOUNT PLATFORM
 CLIFTON PARK, NY
 GSO 10406

DO NOT CHANGE MANUALLY