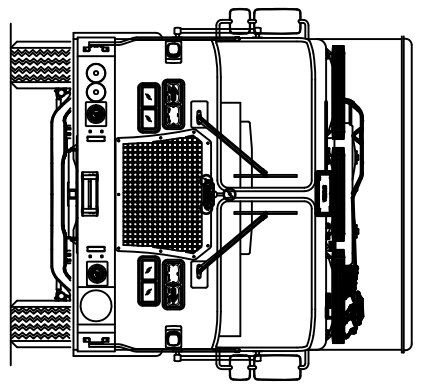


COMPARTMENT INTERIOR DIMENSIONS

COURT.	HEIGHT	WIDTH	DEPTH
L0/R0	47 1/2	28	TRANS
L1/R1	68	55	29/TRANS
L2/R2	68	55	29
L3/R3	36 1/2	56	29
L4/R4	36 1/2	59	29
L5/R5	68	48	29

COMPARTMENT DOOR DIMENSIONS

COURT.	HEIGHT	WIDTH	TYPE
L0/R0	43 1/2	23	ROLL-UP
L1/R1	64	52	ROLL-UP
L2/R2	64	52	ROLL-UP
L3/R3	32 1/2	53	ROLL-UP
L4/R4	32 1/2	53	ROLL-UP
L5/R5	64	48	ROLL-UP



CHASSIS: SEVERE SERVICE
CAB: 100" WIDE SS S2D 2-DOOR FLAT ROOF
ENGINE: CUMMINS ISX 12L 500HP
BODY: 6-COMPARTMENT ALUMINUM WALK-IN
GENERATOR: HARRISON 20kW HYDRAULIC
PUMP: N/A
TANK: N/A
FOAM: N/A

THIS DRAWING IS A GENERAL CONFIGURATION AND MAY NOT NECESSARILY REFLECT ALL CONTRACTUAL REQUIREMENTS. CONTRACT SPECIFICATIONS SHALL PREVAIL OVER DRAWING.

CUSTOMER APPROVAL:

NAME: _____
 TITLE: _____
 DATE: _____

SYM	DATE	REVISION DESCRIPTION	APP'D
A	080CT2014	REV. PER PRE-CONSTRUCTION	JBB
B	04AUG2015	REV. PER BODY RELEASE	JBB

KME
KOVATC H
 KOVATC H MOBILE EQUIPMENT
 ONE INDUSTRIAL COMPLEX - NESHANING, PA 18240

DIMENSIONS ARE APPROXIMATE & MAY VARY DUE TO BUILD ADJUSTMENTS
 SCALE 1"=8'0"
 DATE 15SEP2014
 KME CUSTOM HEAVY RESCUE
 FRIENDSHIP FIRE-LEBANON, PA
 GSO# 9879