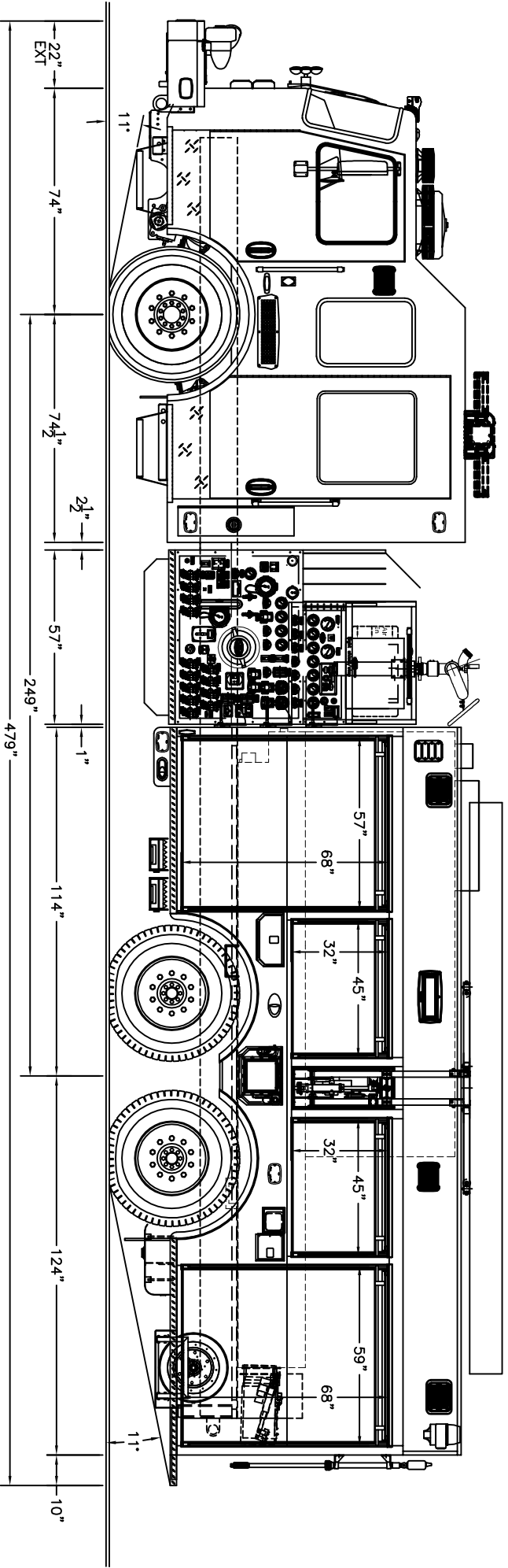
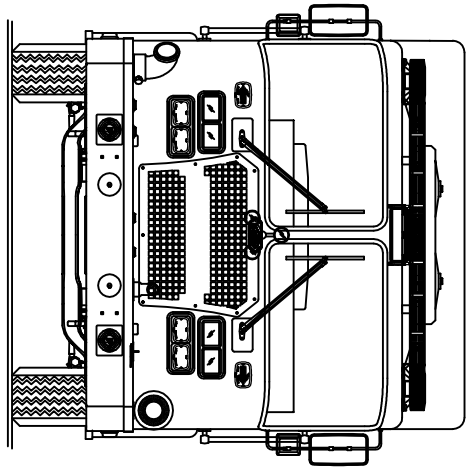
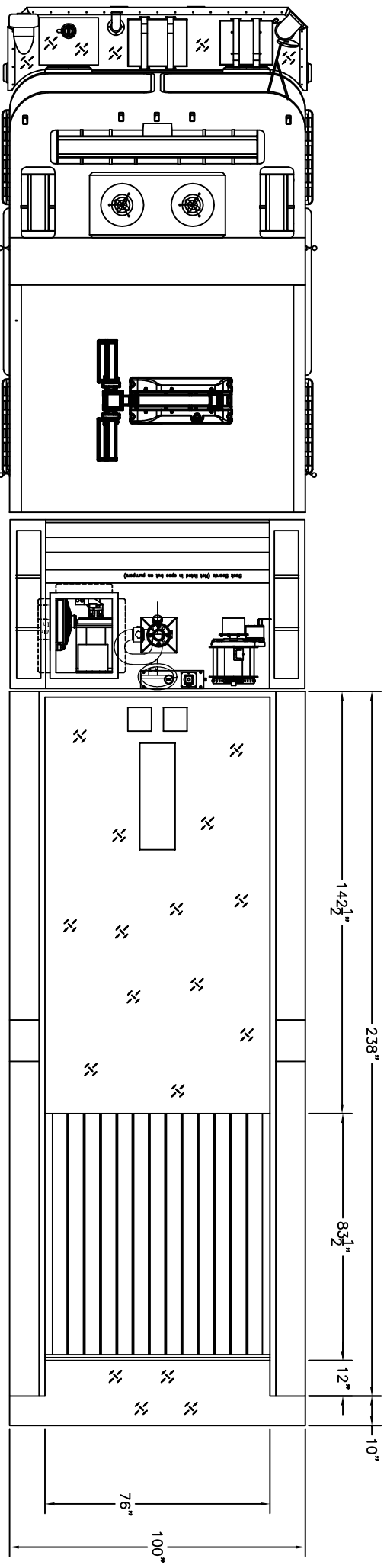
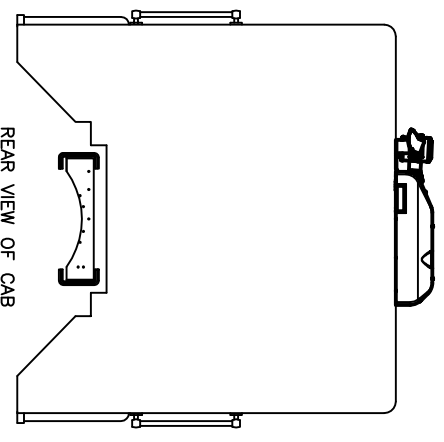
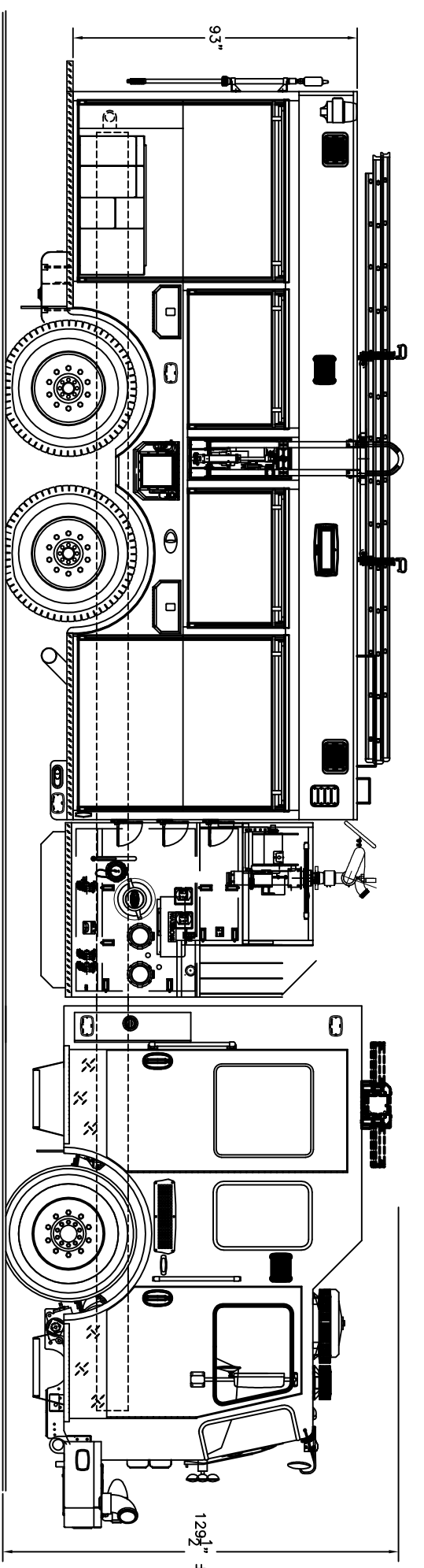
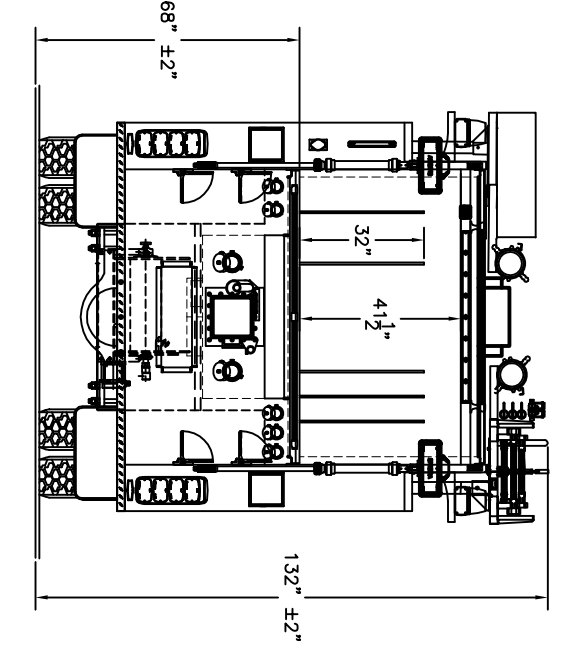


- 12'
- 11'-6"
- 11'
- 10'-6"
- 10'
- 9'-6"
- 9'
- 8'-6"
- 8'
- 7'-6"
- 7'
- 6'-6"
- 6'
- 5'-6"
- 5'
- 4'-6"
- 4'
- 3'-6"
- 3'
- 2'-6"
- 2'
- 1'-6"
- 1'
- 0"



KME PREDATOR 100"
4 DOOR LFD WITH 16" RAISED ROOF
WATEROUS CMU-C20-2000 TWO STAGE PUMP
2500 W/25 F/100 F GALLONS POLY TANK
238" FLATBACK, 3/16" ALUMINUM
WATEROUS ADVANTUS 6 FOAM SYSTEM
HARRISON GEN 15.0 MPC

THIS DRAWING IS A GENERAL CONFIGURATION AND MAY NOT NECESSARILY REFLECT ALL CONTRACTUAL REQUIREMENTS. CONTRACT SPECIFICATIONS SHALL PREVAIL OVER DRAWING.

CUSTOMER APPROVAL:

NAME:
 TITLE:
 DATE:

SYM	DATE	REVISION DESCRIPTION	APP'D
C	5-9-14	REVISED	RPS
B	1-7-14	REVISED	RPS
A	8-18-13	PRE-CON REVISION	RPS

DIMENSIONS ARE APPROXIMATE & MAY VARY DUE TO BUILD ADJUSTMENTS
 SCALE 1"=24"
 DWG SIZE DRAWN BY KRG
 APPROVED BY JW
 DATE 7/19/2013
KME CUSTOM TANKER
OCEAN CITY, MD
GSO#9333

