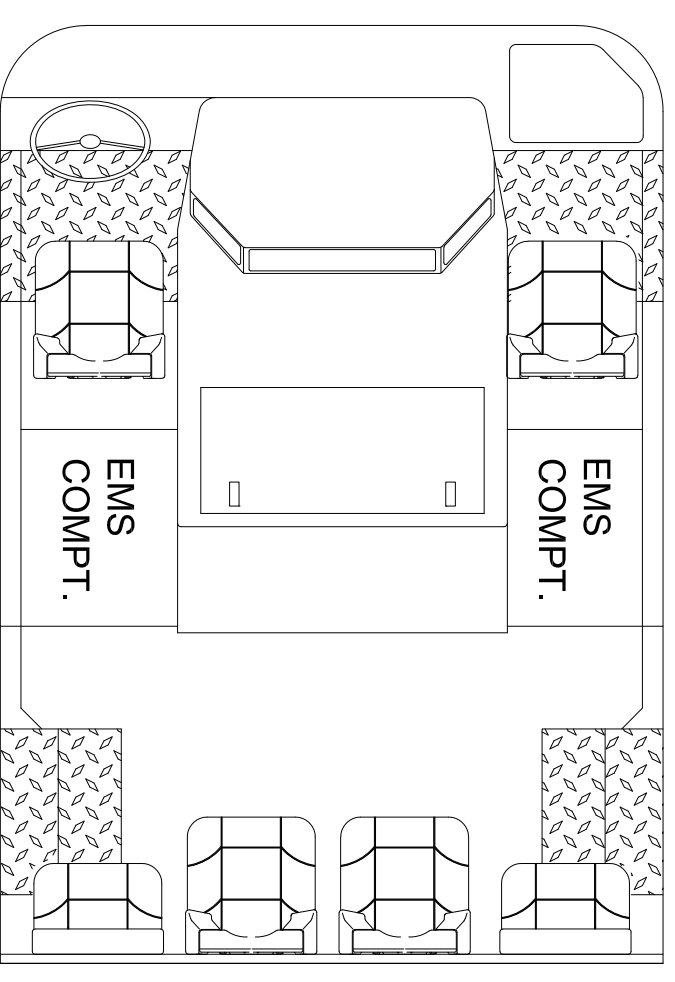
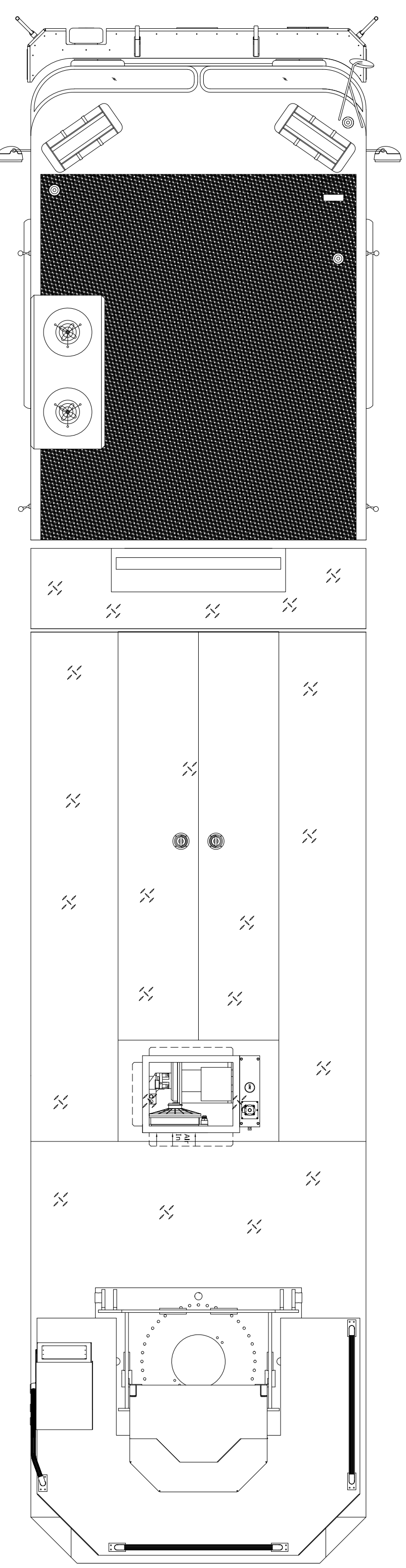


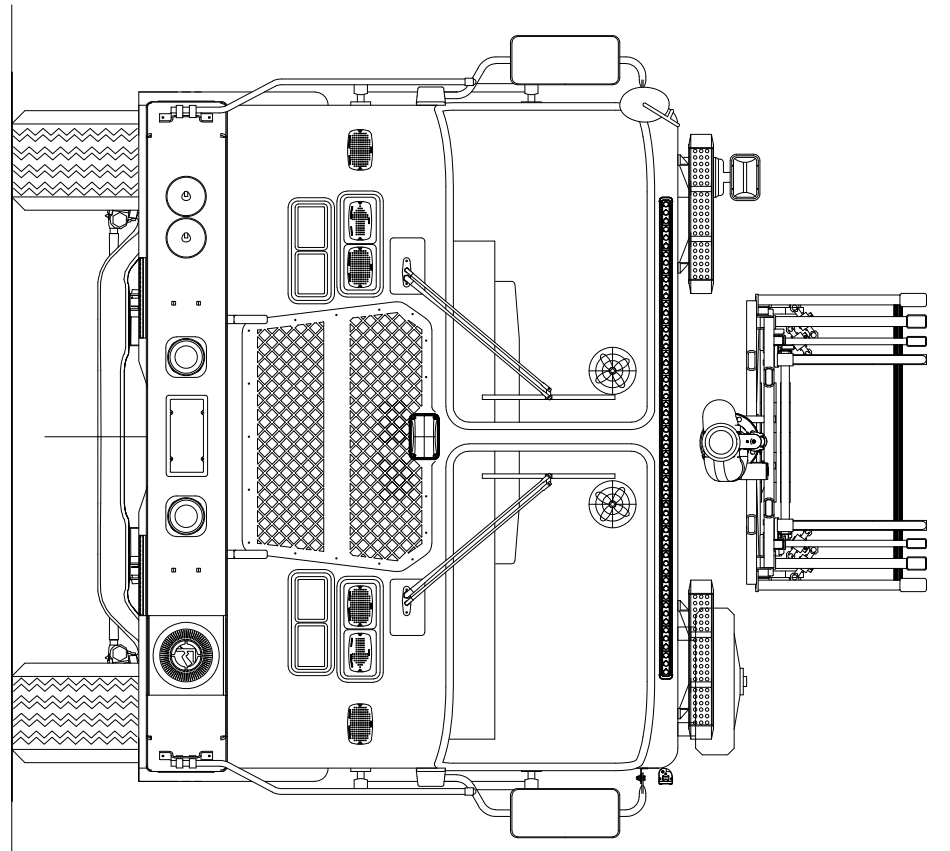
OFFICERS SIDE VIEW



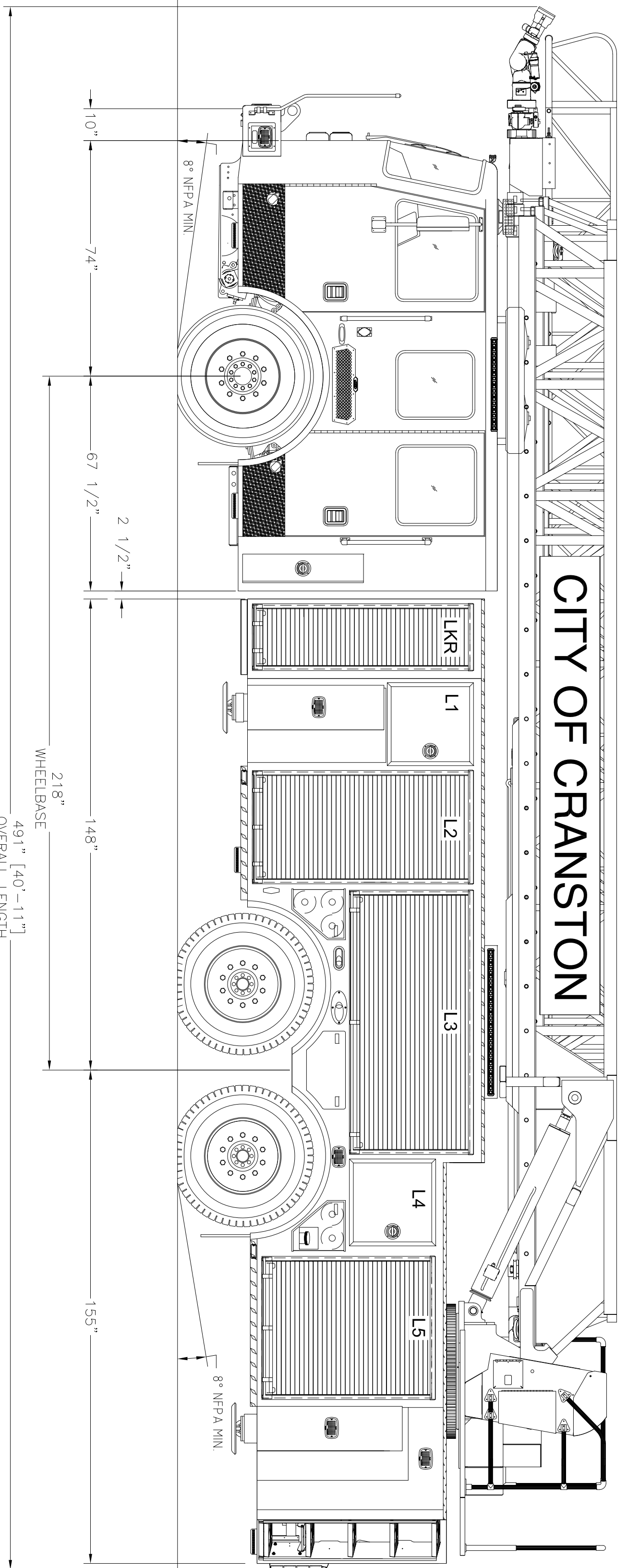
CAB INTERIOR LAYOUT



TOP VIEW



FRONT VIEW



DRIVERS SIDE VIEW

CAB: 100" W SEVERE SERVICE LFD FLAT ROOF
 ENGINE & TRANS. CUMMINS X15 565 HP / 4000 E
 AXLES: 24,000# FRONT/54,000# REAR
 PUMP: N/A
 WATER TANK: N/A
 GENERATOR: HARRISON 10KW MCR STEALTH

CUSTOMER APPROVAL:

NAME: _____
 TITLE: _____
 DATE: _____

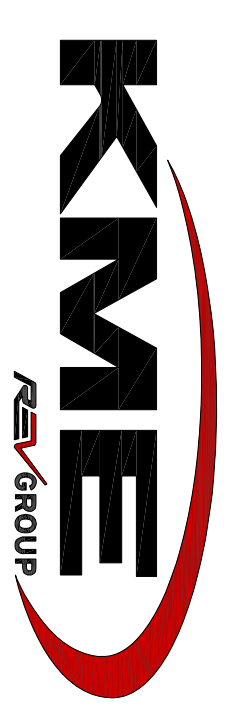
SYM	DATE	REVISION DESCRIPTION	APP'D
A	03/15/19	REV A	ZCZ
B	2/6/2020	REVISED AS PER PFR	MAB
C	2/14/2020	REVISED	MAB

DIMENSIONS ARE APPROXIMATE & MAY VARY DUE TO BUILD ADJUSTMENTS			
SCALE	DWG SIZE	DRAWN BY	DATE
NONE	B	Z.ZSCHUNKE	2/14/19
109' REAR MOUNT LADDER			
		APPROVED BY J.BEHLER	
		CRANSTON, RI	

SALES ENGINEER : MARK A BOYLE

GSO #11141

ONE INDUSTRIAL COMPLEX NESQUEHONING, PA 18240



THIS DRAWING IS A GENERAL CONFIGURATION AND MAY NOT NECESSARILY REFLECT ALL CONTRACTUAL REQUIREMENTS. CONTRACT SPECIFICATIONS SHALL PREVAIL OVER DRAWING.