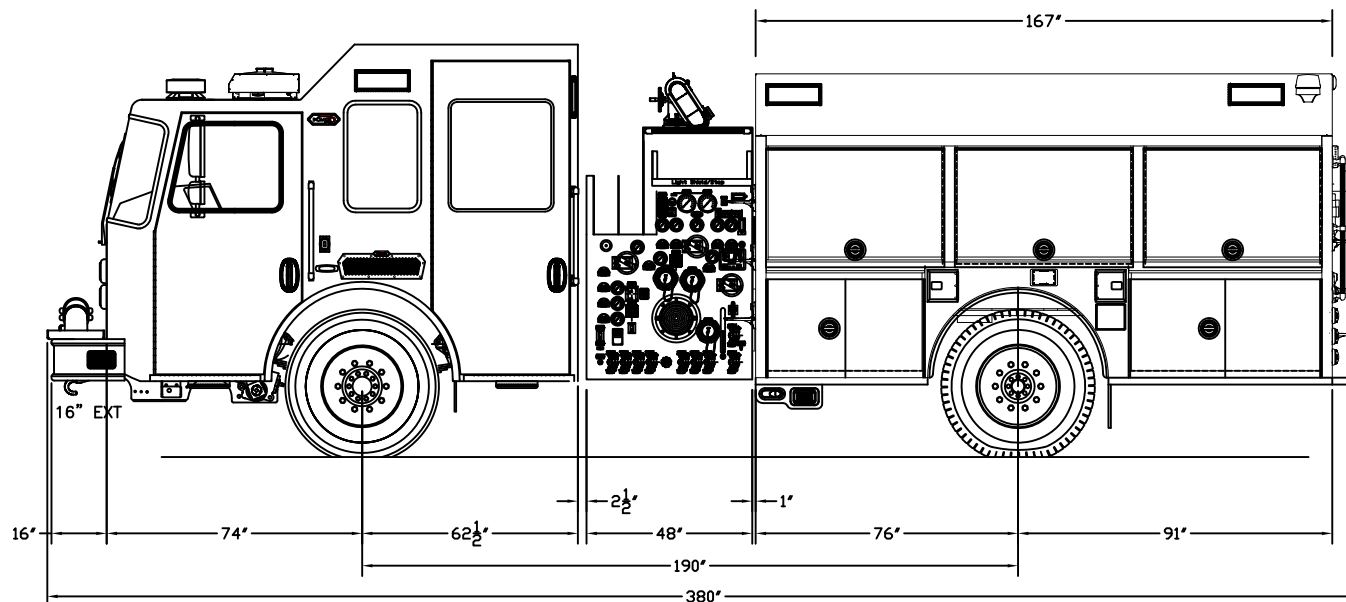
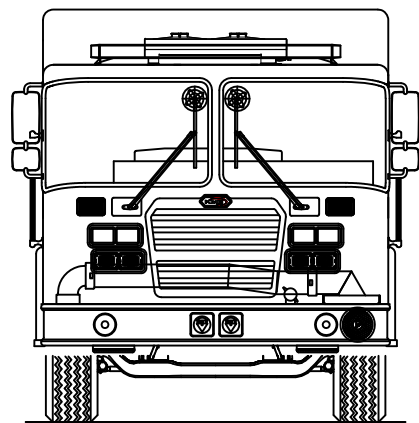
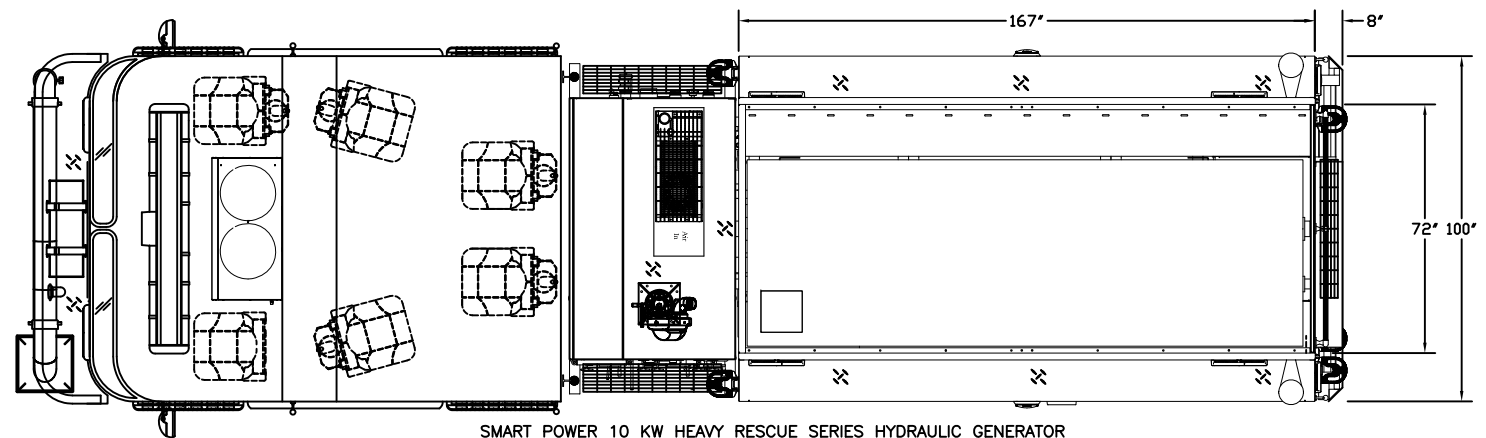
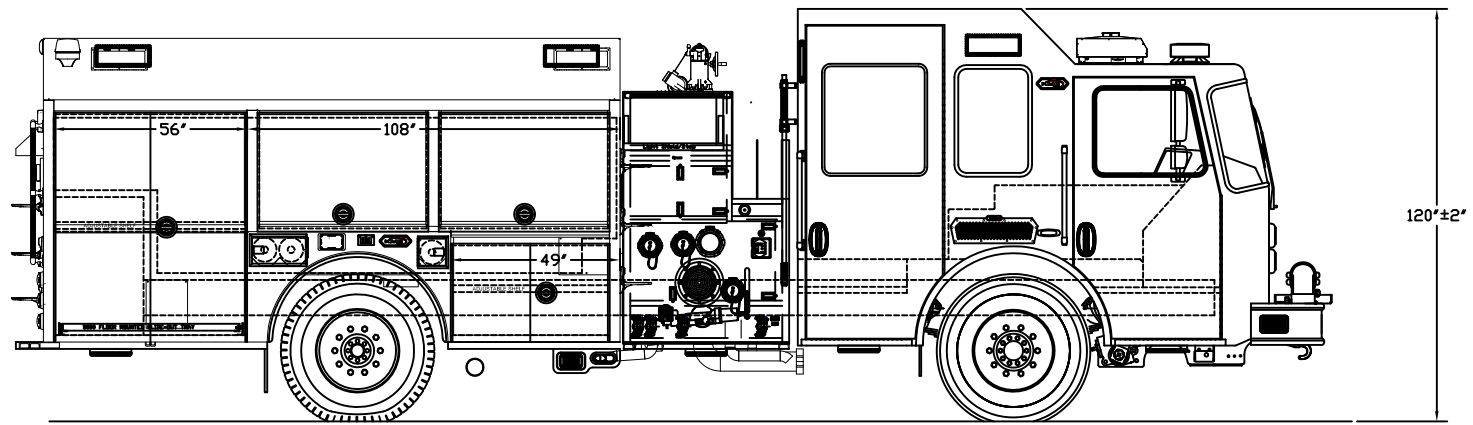


**HOSE LOAD**  
 (2) 100 FT. BUNDLES OF 1-3/4"  
 500 FT. OF 2-1/2"  
 150 FT. OF 1-3/4" PRE-CONNECT  
 200 FT. OF 2-1/2" PRE-CONNECT  
 1,000 FT. OF 4"



CAB: 100"W KME PREDATOR MFD 16" RR ALUM  
 ENGINE & TRANS: CUMMINS ISX12 450 HP/ALLISON 4000 EVS  
 AXLES: 22,800# FRONT/27,000# REAR  
 PUMP: HALE QMAX-XS 200 2000 GPM SINGLE STAGE  
 WATER TANK: 1,000 GAL. FIBERGLASS  
 BODY TYPE: 167" FLEX 3/16" ALUMINUM

THIS DRAWING IS A GENERAL CONFIGURATION AND MAY NOT NECESSARILY REFLECT ALL CONTRACTUAL REQUIREMENTS. CONTRACT SPECIFICATIONS SHALL PREVAIL OVER DRAWING.

**CUSTOMER APPROVAL:**

NAME: \_\_\_\_\_  
 TITLE: \_\_\_\_\_  
 DATE: \_\_\_\_\_

SYM	DATE	REVISION DESCRIPTION	APP'D
B	3/30/18	BODY UPDATE AND RELEASE	SDC
A	06NOV2017	UPDATED PER PRE-CONSTRUCTION	JBB
SALES ENGINEER : SEAN CRAWFORD			

DIMENSIONS ARE APPROXIMATE & MAY VARY DUE TO BUILD ADJUSTMENTS			
SCALE	DWG SIZE	DRAWN BY	DATE
NONE	B	P.RINGER	10/18/2016
APPROVED BY J. BOROVIES			
<b>KME CUSTOM PUMPER</b>			
<b>CITY OF LAPEER</b>			
<b>10742</b>			

**KME**  
 REV GROUP  
 KME  
 ONE INDUSTRIAL COMPLEX - NESQUEHONING, PA 18240