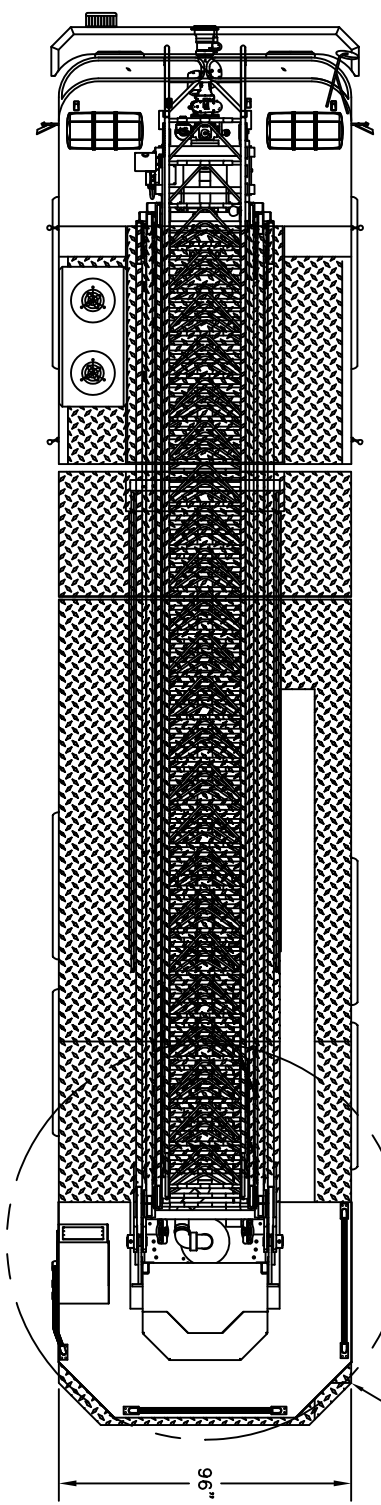
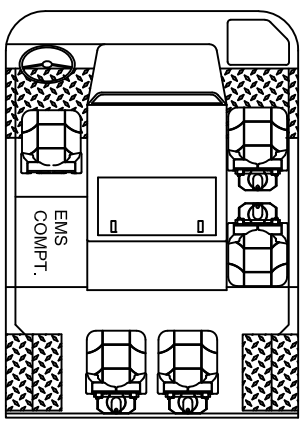
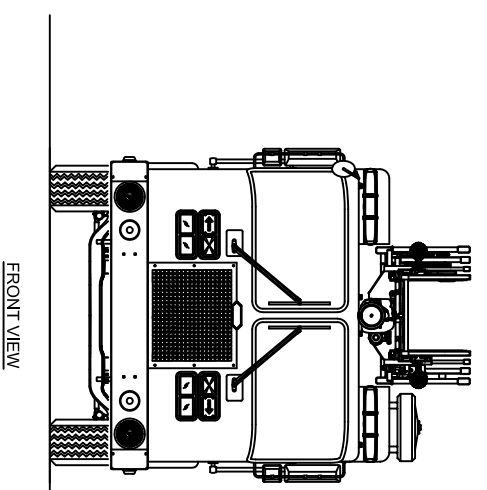


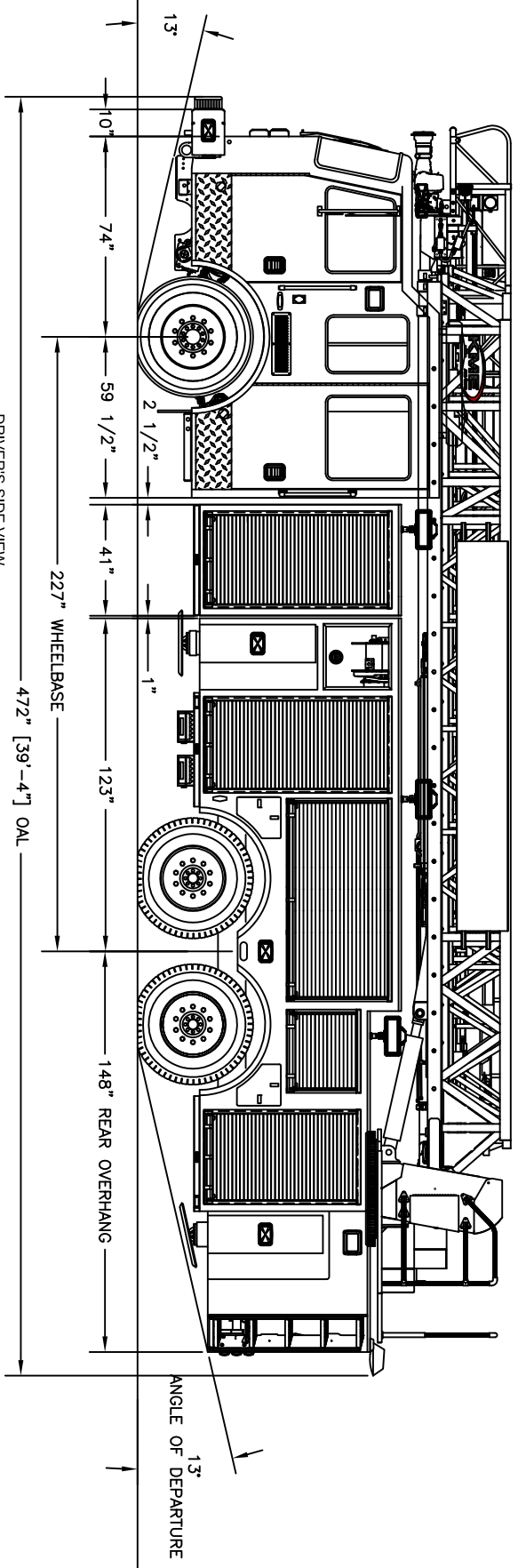
OFFICER'S SIDE VIEW



MITERED REAR BODY CORNERS



FRONT VIEW



CAB: PREDATOR SEVERE SERVICE 96" X-MFD 10" RAISED ROOF  
 ENGINE/TRANSMISSION: ISX12 500 HP / ALLISON 4000EVS  
 AERIAL DEVICE: 103 REAR MOUNT LADDER  
 PUMP: N/A  
 TANK TYPE: N/A  
 BODY: 3/16" ALUMINUM

SY#	DATE	REVISION DESCRIPTION	APP'D

SALES ENGINEER : ZACKSCHUNK

SCALE: DIM SIZE DRAWN BY: J BERLER DATE: 12-4-18  
 NONE B APPROVED BY: 103 REAR MOUNT LADDER  
 NASHVILLE, TN  
 GSO # 10859

KME  
 ONE INDUSTRIAL COMPLEX - MESQUERHONING, PA 18240