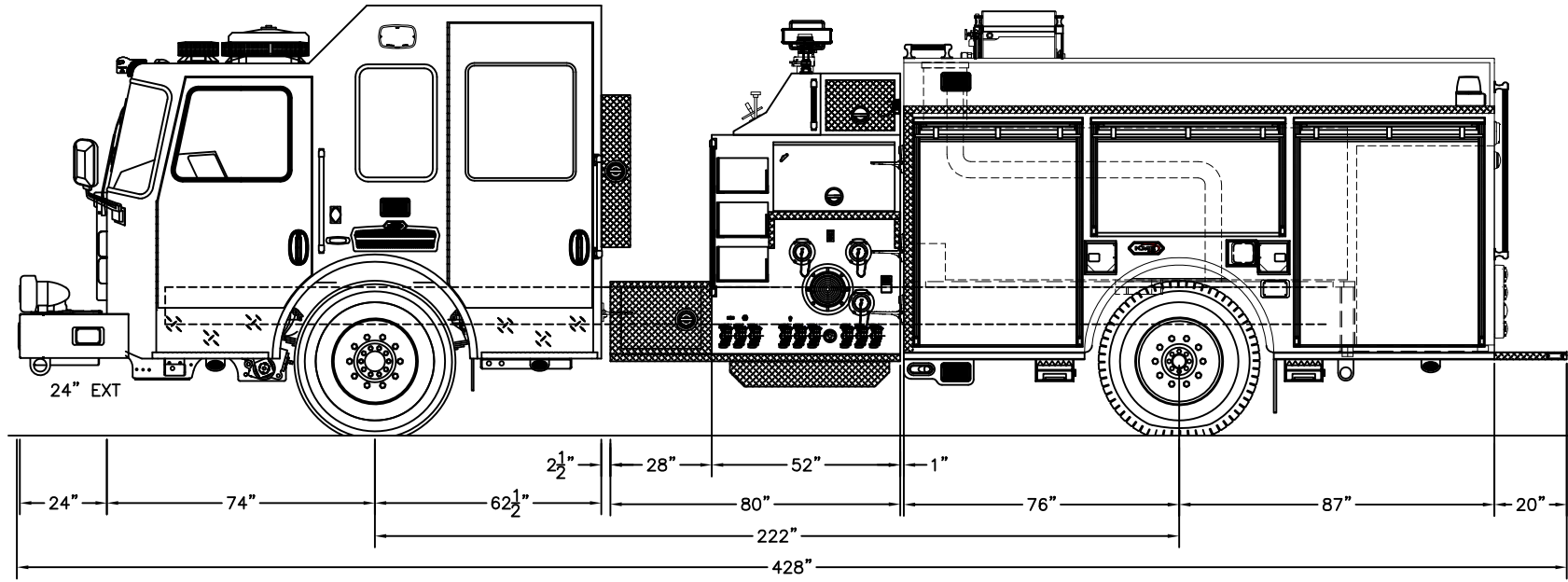
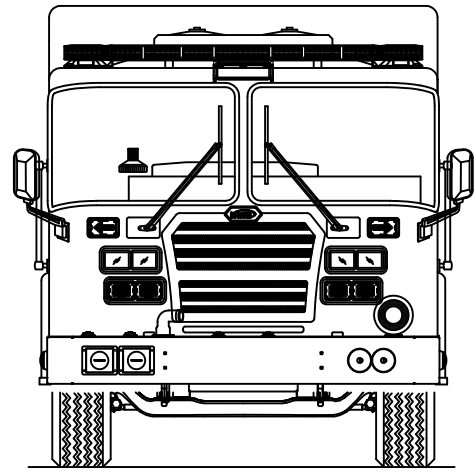
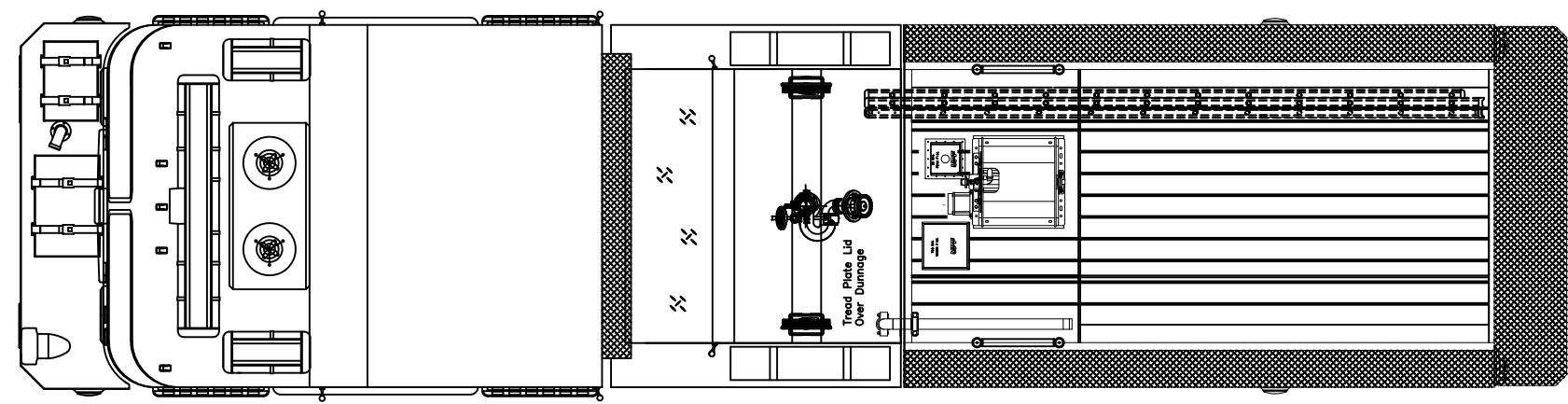


REAR VIEW OF CAB



CAB: 100"W KME PREDATOR MFD 16" RR  
 ENGINE & TRANS: CUMMINS ISX12 500 HP/ALLISON 4000 EVS  
 AXLES: 21,500# FRONT/27,000# REAR  
 PUMP: HALE QMAX-150 1,500 GPM SINGLE STAGE PUMP  
 WATER TANK: 750 GALLONS POLY W/ 30 GALLON FOAM  
 BODY TYPE: 163" FLUSH BACK 3/16" ALUMINUM

THIS DRAWING IS A GENERAL CONFIGURATION AND MAY NOT NECESSARILY REFLECT ALL CONTRACTUAL REQUIREMENTS. CONTRACT SPECIFICATIONS SHALL PREVAIL OVER DRAWING.

**CUSTOMER APPROVAL:**  
 NAME: \_\_\_\_\_  
 TITLE: \_\_\_\_\_  
 DATE: \_\_\_\_\_

SYM	DATE	REVISION DESCRIPTION	APP'D
B		UPDATE PER ENG BODY LAYOUTS	BMB
A	5/25/17	UPDATE PRE PRE-CON LETTER	BMB

SALES ENGINEER : BRIAN BANERAVAGE

DIMENSIONS ARE APPROXIMATE & MAY VARY DUE TO BUILD ADJUSTMENTS			
SCALE	DWG SIZE	DRAWN BY	DATE
NONE	B	BMB	11-23-16
KME CUSTOM PUMPER			
CITY OF DOTHAN FD, AL			
GSO #10629			

