

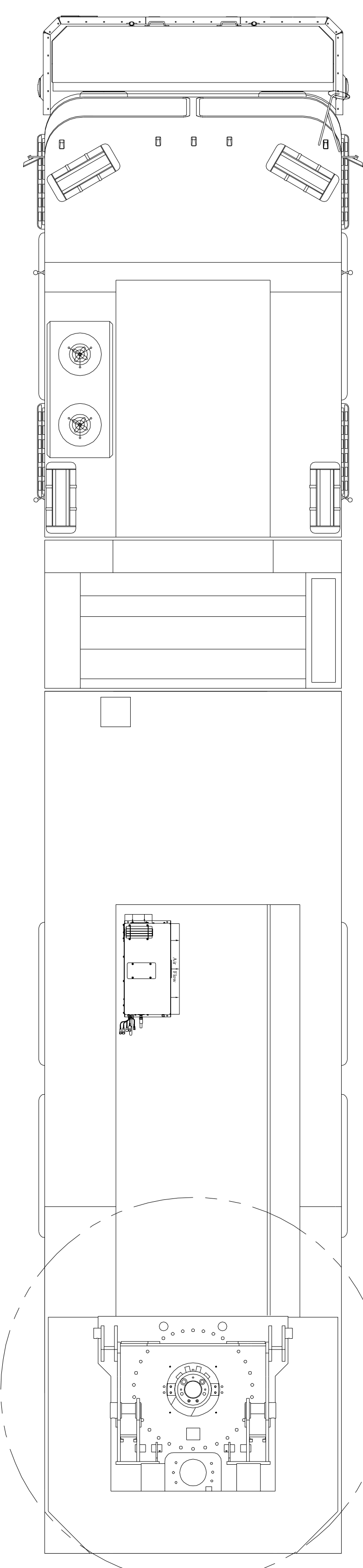
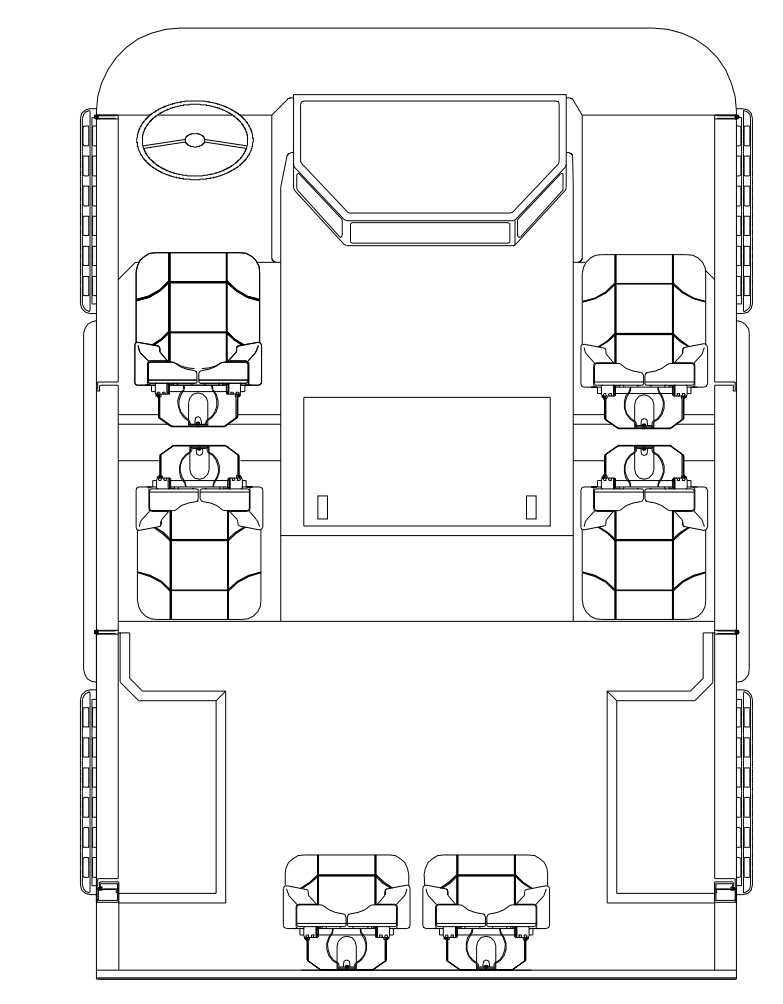
SPECIFICATIONS

CHASSIS: PREDATOR LED w/ 10' BASED ROOF
 ENGINE: CUMMINS ISX-12 500 HP
 TRANSMISSION: ALISON 4000CVS 5-SPEED AUTOMATIC
 FRONT AXLE: DANA 1-220W #24,000
 REAR AXLE: WERHOR RT-58-185 #60,000
 PUMP: WATEROUS CSU-C20 2,000 GPM SINGLE STAGE
 TANK: 300 GALLON POLYIIE

NOTES

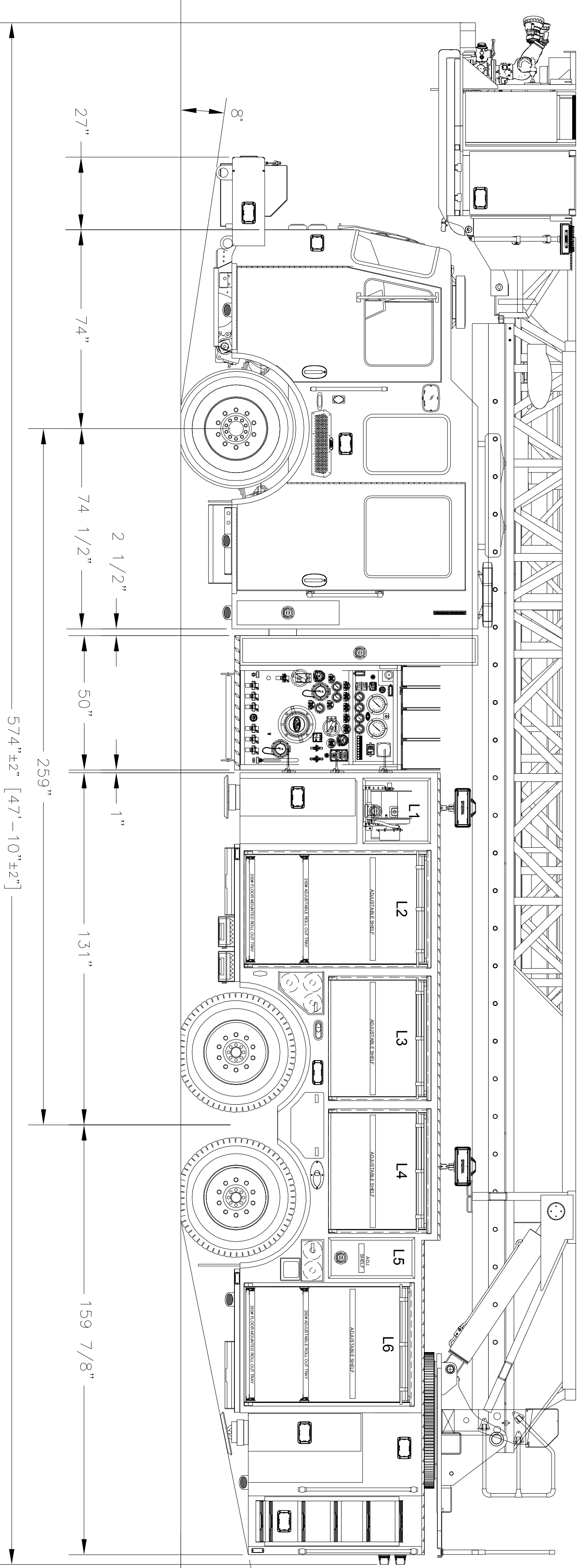
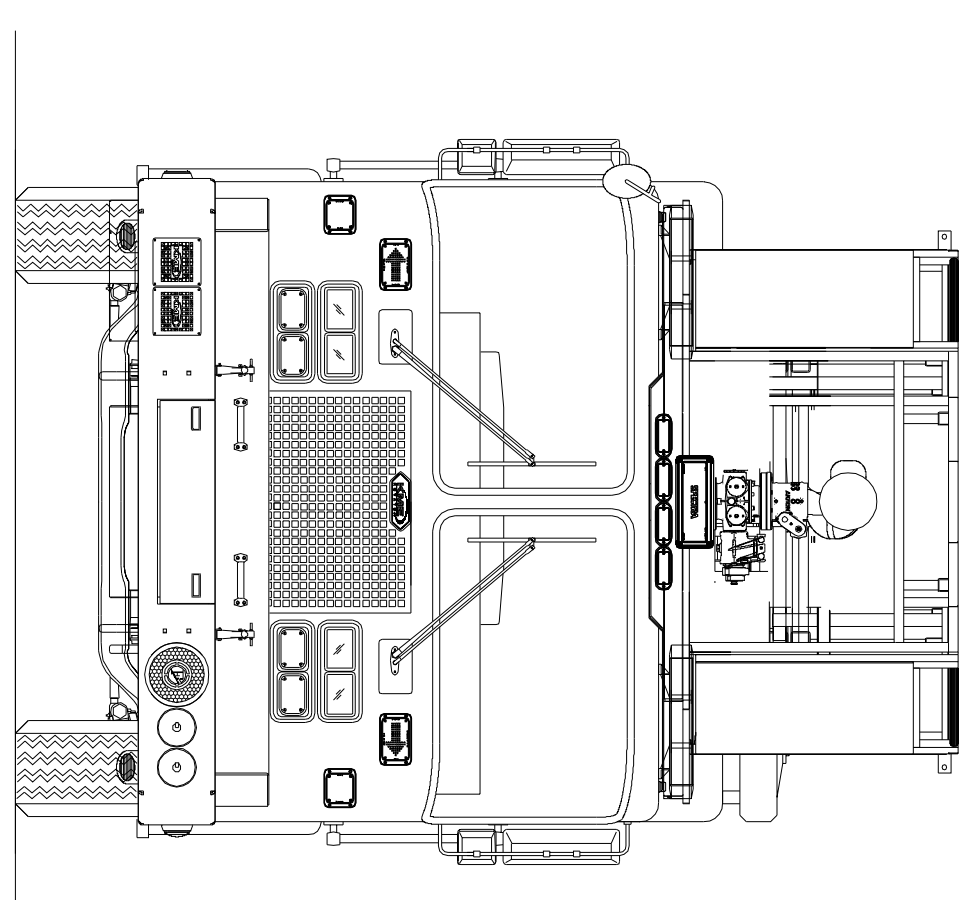
GROUND LADDERS

- 2 - DUO-SAFETY 35' 2-SECTION; 1200-A
- 2 - DUO-SAFETY 28' 2-SECTION; 1200-A
- 2 - DUO-SAFETY 16' ROOF w/ FOLDING HOOKS; 875-A
- 1 - DUO-SAFETY 14' ROOF w/ FOLDING HOOKS; 775-A (MOUNTED BASE SECTION AERIAL DEVICE)
- 1 - DUO-SAFETY 10' FOLDING; 585-A



DISCHARGES

- 1 - 2-1/2" LEFT SIDE
- 1 - 3" RIGHT SIDE
- 1 - 4" RIGHT SIDE
- 1 - 2-1/2" FRONT BUMPER
- 2 - 1-1/2" CROSSLAYS
- 2 - 2-1/2" CROSSLAYS
- 1 - 4" AERIAL WATERWAY



CUSTOMER PAINT CODES

LOWER CAB AND BODY:

CAB TWO TONE:

LADDER:

COMPARTMENT INTERIOR:

B	02/18/2017	BODY ENGINEERING REVISIONS	JCM
A	10/14/2016	PRECONSTRUCTION REVISIONS	JCM
REV	DATE	REVISION DESCRIPTION	APP'D

SALES ENGINEER : JAMES MECHLING

KME
 KME Fire Apparatus
 ONE INDUSTRIAL COMPLEX
 NESQUEHONING, PA 18240

DATE: 7/26/16 SCALE: NONE DRAWN BY: ZZSCHUNKE APPROVED BY: PPH

102' AERIALCAT REARMOUNT PLATFORM
 LAURELTON FIRE DISTRICT, NJ
 GSO 10426

THIS DRAWING IS A GENERAL CONFIGURATION AND MAY NOT NECESSARILY REFLECT ALL CONTRACTUAL OBLIGATIONS. DIMENSIONS ARE APPROXIMATE AND MAY VARY DURING CONSTRUCTION. PLEASE REVIEW AND RETURN A SIGNED COPY.

NAME: _____
 TITLE: _____
 DATE: _____

DO NOT CHANGE MANUALLY