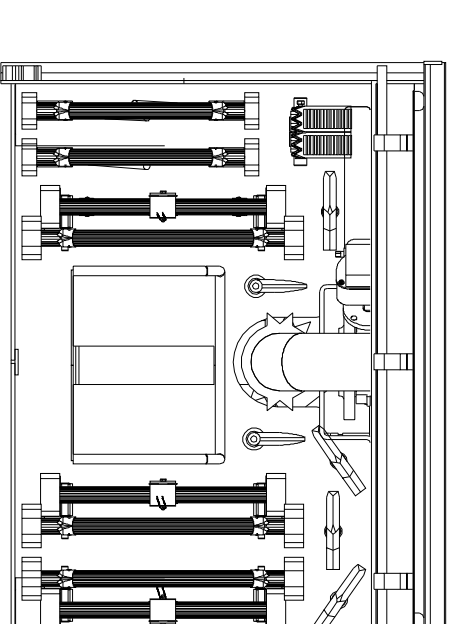


SPECIFICATIONS

CHASSIS: SEVERE SERVICE 160 HP / 10" RAISED ROOF
 BRAKES: 500 GAL POLYME W/ TEMA & COMP
 TRANSMISSION: ALISON 4000CVS 5-SPEED AUTOMATIC
 FRONT AXLE: MERITOR MFS-20-122A-N #23,000
 REAR AXLE: MERITOR RT-58-185 #58,000
 PUMP: HALE QMAX-XS 125, 1,250 GPM SINGLE STAGE
 TANK: 500 GALLON POLYME

NOTES

- GROUND LADDERS**
- 2 - ALCO-LITE 35' 2-SECTION; PEL-35
 - 1 - ALCO-LITE 28' 2-SECTION; PEL-28
 - 1 - ALCO-LITE 20' ROOF w/ FOLDING HOOKS; PRL-20
 - 1 - ALCO-LITE 18' ROOF w/ FOLDING HOOKS; PRL-18
 - 1 - ALCO-LITE 16' ROOF w/ FOLDING HOOKS; PRL-16 (MOUNTED ON AERIAL)
 - 1 - ALCO-LITE 10' FOLDING LADDER; FL-10



DISCHARGES

- 2 - 2-1/2" LEFT SIDE
- 1 - 1-1/2" CROSSLAY
- 1 - 2-1/2" RIGHT SIDE
- 1 - 2-1/2" CROSSLAY
- 1 - 3" RIGHT SIDE
- 1 - 4" AERIAL WATERWAY

THIS DRAWING IS A GENERAL CONFESSION AND MAY NOT NECESSARILY REFLECT ALL CONTRACTUAL OBLIGATIONS. DIMENSIONS ARE APPROXIMATE AND MAY VARY DURING CONSTRUCTION. PLEASE REVIEW AND RETURN A SIGNED COPY.

NAME: _____
 TITLE: _____
 DATE: _____

CUSTOMER PAINT CODES

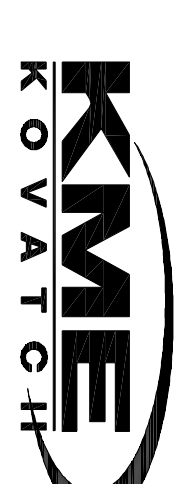
LOWER CAB AND BODY: _____
 CAB TWO TONE: _____

LADDER: _____

COMPARTMENT INTERIOR:

REV	DATE	DESCRIPTION	APP'D
C	7/29/16	BODY ENGINEERING REVISIONS	JCM
B	7/29/16	REVISIONS	JCM
A	3/16/16	PRECONSTRUCTION REVISIONS	JCM
REV	DATE	REVISION DESCRIPTION	APP'D

SALES ENGINEER : JAMES MECHLING



ONE FIRE APPARATUS
 ONE INDUSTRIAL COMPLEX
 RESOUCE/ENGINE, PA 18240

SCALE: DRAWN BY: ZSCHUNKE
 NONE APPROVED BY: PPH

109' AERIALCAT REARMOUNT LADDER
 GREENVILLE FIRE DISTRICT, NY

GSO # 10285

DO NOT CHANGE MANUALLY