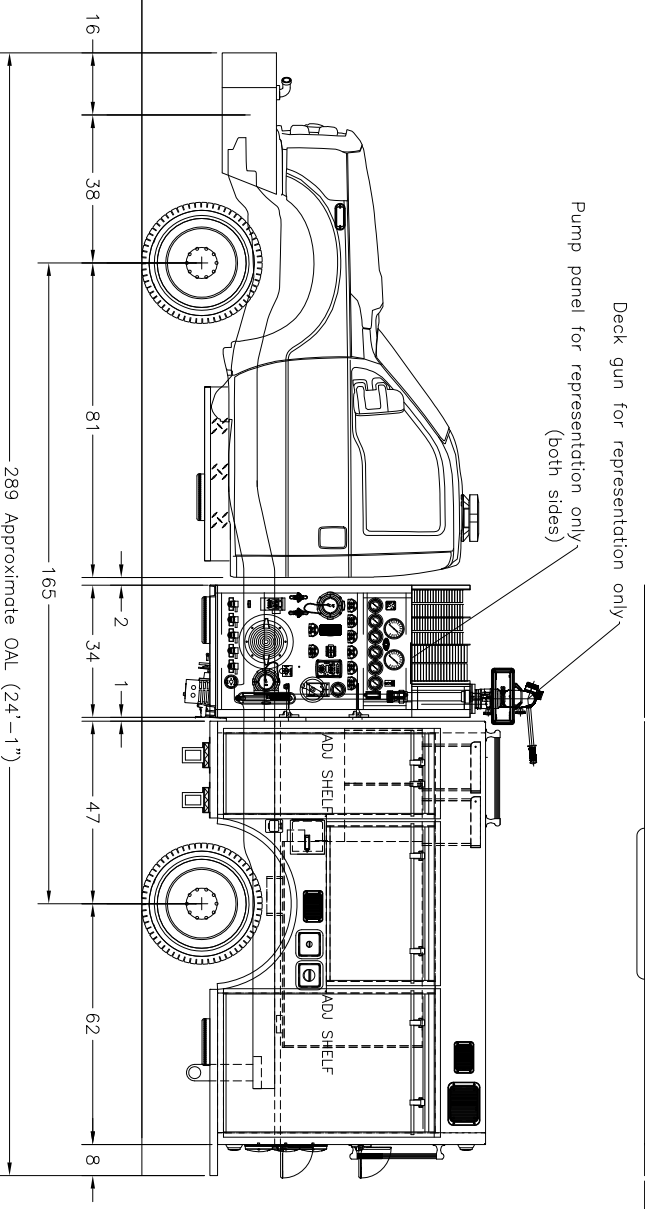
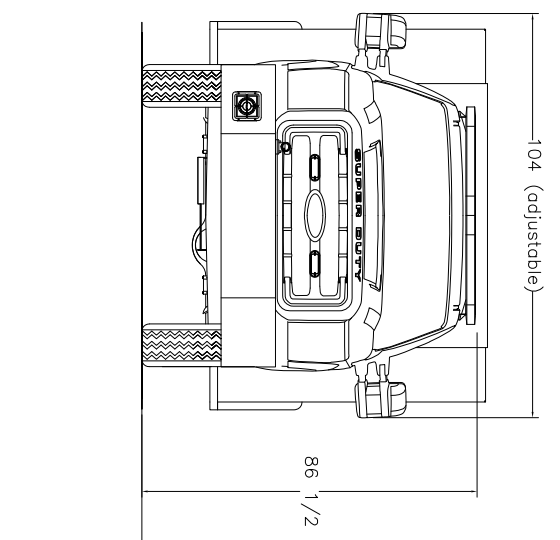
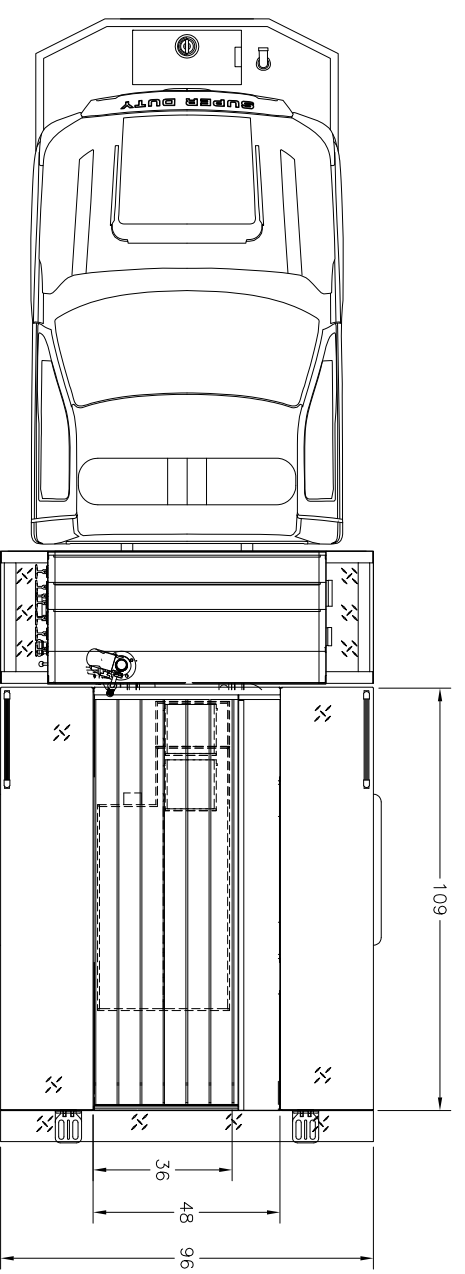
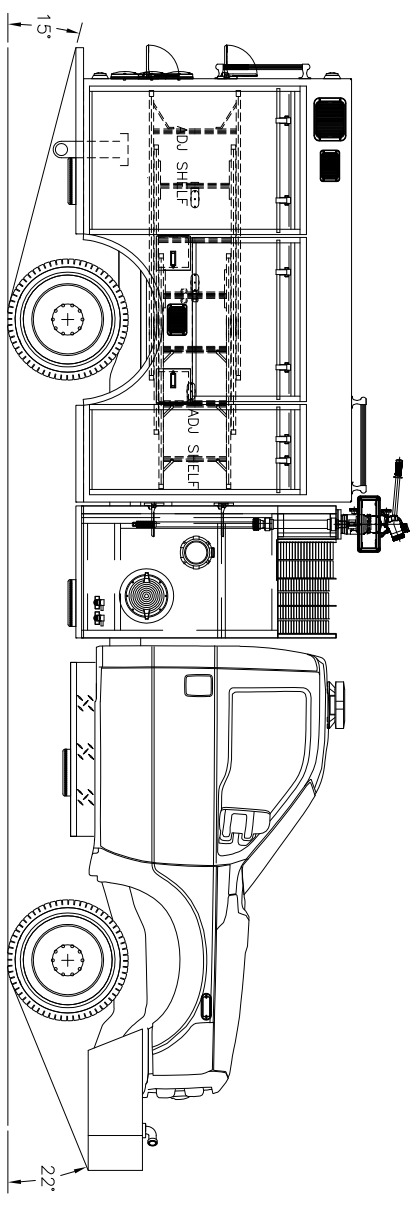


BACKBOARD & 3 SECTION LADDER
LOCATE A 2 SECTION & ROOF LADDER



FORD F-550 4X4 2 DR
6.7L 300 HP/6 SPD AUTO/7,000/14,706
HALE DSD 1250 GPM MIDSHIP PUMP
300 GALLONS POLY TANK / 10 FOAM
109" MINI-PUMPER W/ ENCLOSED LADDERS
3/16" ALUMINUM
HALE FOAMLOGIX 2.1

THIS DRAWING IS A GENERAL CONFIGURATION AND MAY NOT NECESSARILY REFLECT ALL CONTRACTUAL REQUIREMENTS. CONTRACT SPECIFICATIONS SHALL PREVAIL OVER DRAWING.

CUSTOMER APPROVAL:

NAME:
TITLE:
DATE:

SYM	DATE	REVISION DESCRIPTION	APP'D
A	8-18-15	REVISED PROPOSAL	
B	9-23-15	REVISED PROPOSAL	

DIMENSIONS ARE APPROXIMATE & MAY VARY DUE TO BUILD ADJUSTMENTS			
SCALE	DWG SIZE	DRAWN BY	DATE
1"=24"	D	DBK	7/20/2015
		APPROVED BY	DBK
KME COMMERCIAL MINI-PUMPER			
FERRYSBURG, MI			
PROPOSAL			

KOVATCH MOBILE EQUIPMENT
ONE INDUSTRIAL COMPLEX - NESQUEHONING, PA 15240