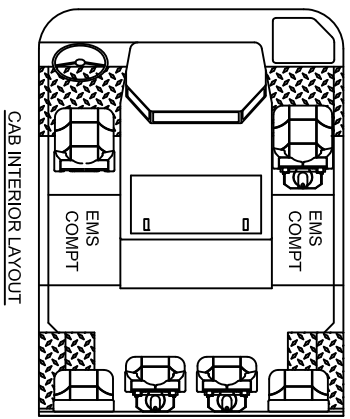
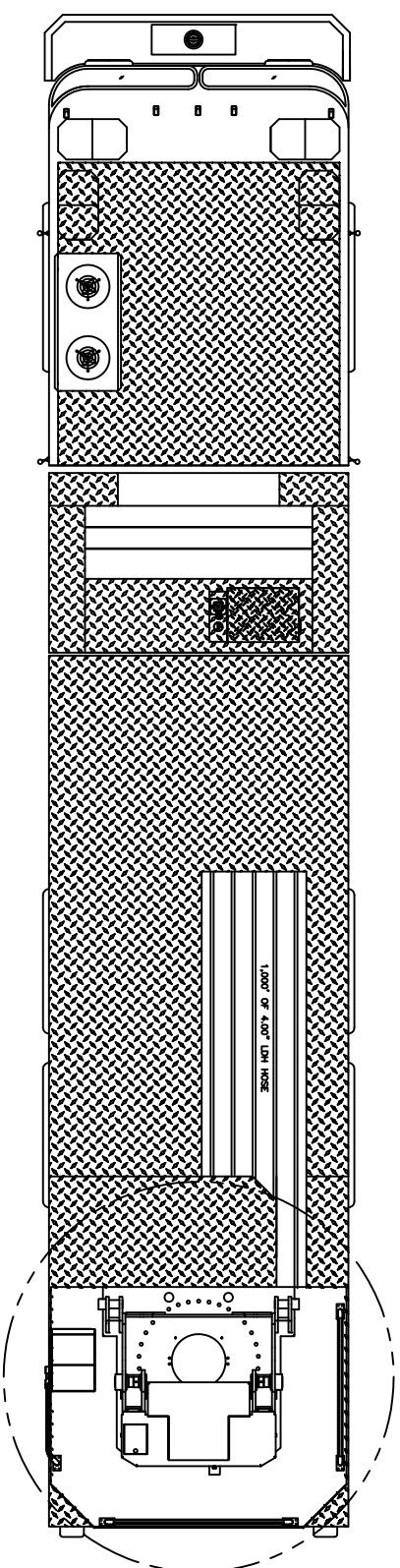


REAR VIEW

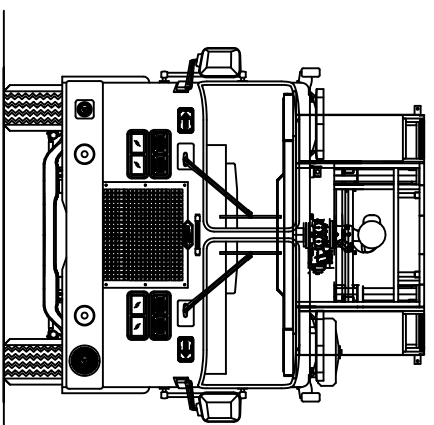
OFFICERS SIDE VIEW



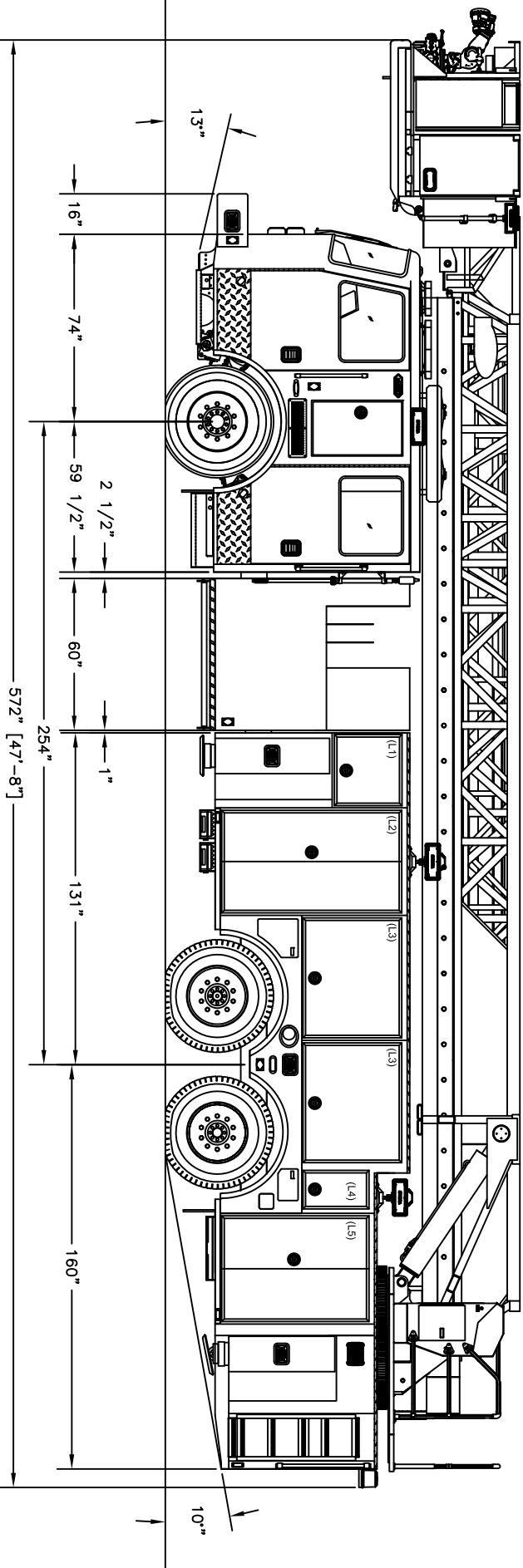
CAB INTERIOR LAYOUT



TOP VIEW



FRONT VIEW



DRIVERS SIDE VIEW

**SPECIFICATIONS**

CHASSIS: SEVERE SERVICE XHPD FLAT ROOF  
 ENGINE: CUMMINS ISX-12 500HP W/ JAKE BRAKE  
 TRANSMISSION: ALLISON 400EVS 5-SPEED AUTOMATIC  
 FRONT AXLE: MERITOR FZ-205 14,000LB GROSS  
 REAR AXLE: MERITOR FZ-205 14,000LB GROSS  
 PUMP: WATERLOUS CSI-20- 2,000 GPM SINGLE STAGE PUMP  
 TANK: 300 GALLON POLYME

**NOTES**

**GROUND LADDERS**

- 1 - ALCO-LITE 35' 2-SECTION; PEL-35
- 1 - ALCO-LITE 28' 2-SECTION; PEL-28
- 2 - ALCO-LITE 18' ROOF W/ FOLDING HOOKS; PRL-18
- 1 - ALCO-LITE 14' ROOF W/ FOLDING HOOKS; PRL-14
- (ONE MOUNTED ON BASE SECTION OF AERIAL )
- 1 - ALCO-LITE 14' ATTIC EXTENSION; AEL-14
- 1 - ALCO-LITE 10' FOLDING LADDER; FL-10

**DISCHARGES**

THIS DRAWING IS A GENERAL CONFIGURATION AND MAY NOT NECESSARILY REFLECT ALL CONTRACTUAL OBLIGATIONS. DIMENSIONS ARE APPROXIMATE AND MAY VARY DURING CONSTRUCTION. PLEASE REVIEW AND RETURN A SIGNED COPY.

NAME: \_\_\_\_\_  
 TITLE: \_\_\_\_\_  
 DATE: \_\_\_\_\_

**CUSTOMER PAINT CODES**  
 LOWER CAB AND BODY: \_\_\_\_\_  
 CAB TWO TONE: \_\_\_\_\_

LADDER: \_\_\_\_\_  
 COMPARTMENT INTERIORS: \_\_\_\_\_

SALES ENGINEER : \_\_\_\_\_

REV	DATE	REVISION DESCRIPTION	APP'D



ONE INDUSTRIAL COMPLEX  
 MERRIDOWN, PA 15240

102' AERIALCAT REARMOUNT PLATFORM

DANVERS FIRE DEPARTMENT

PROPOSAL DRAWING

DO NOT CHANGE MANUALLY