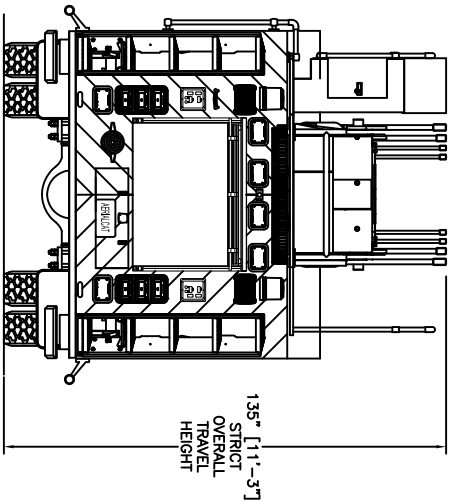
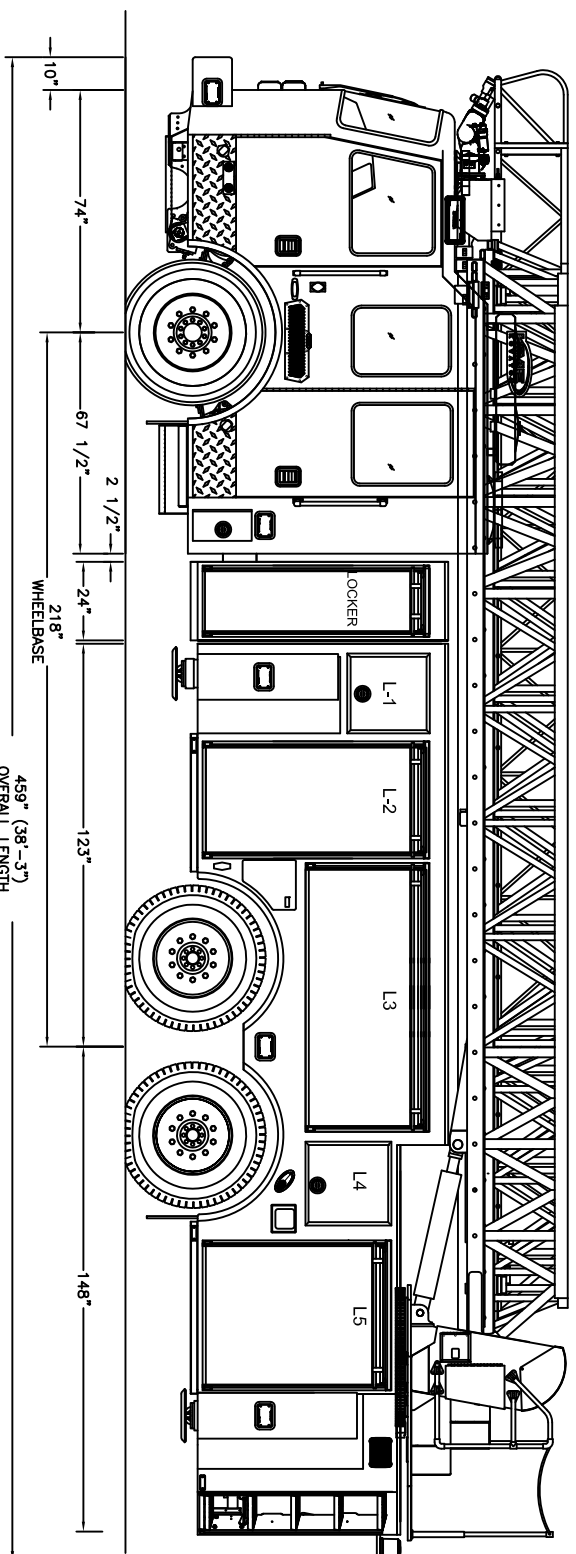
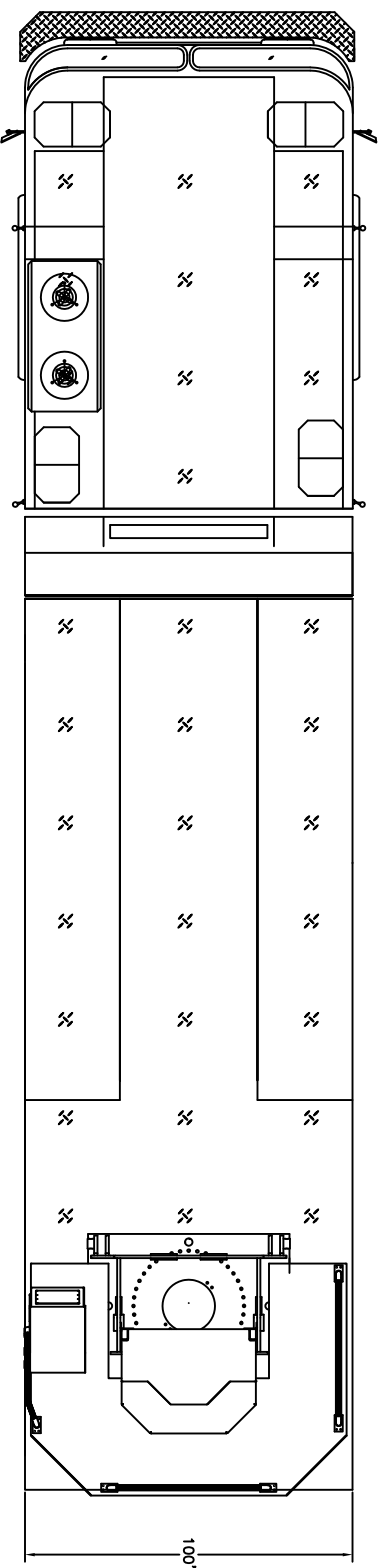
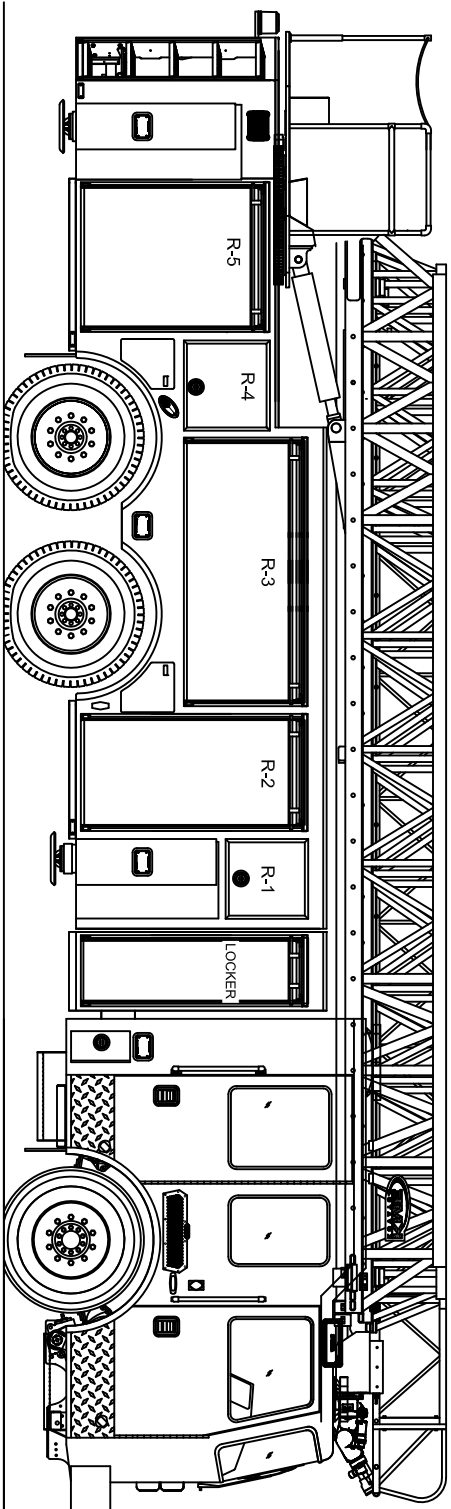
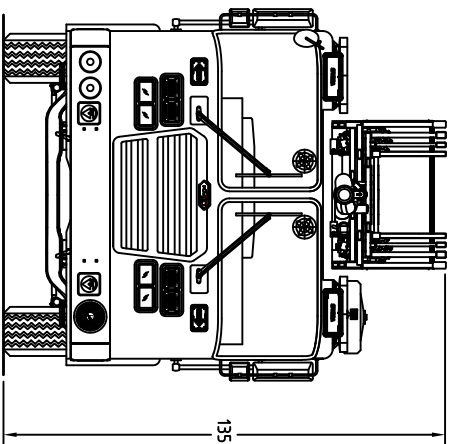
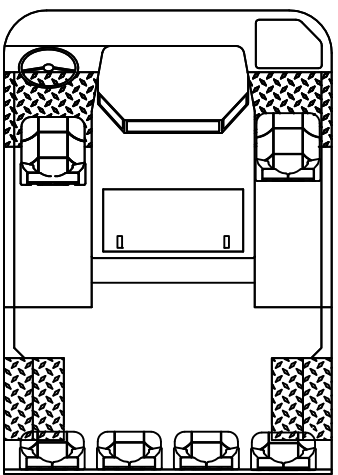


THIS TRUCK CAN NOT EXCEED 135" OVERALL TRAVEL HEIGHT



REAR VIEW



CAB: 100"W SEVERE SERVICE LFD FLAT ROOF
ENGINE & TRANS: CUMMINS ISX12 500 HP/ALLISON 4000 EVS
AXLES: 23,000# FRONT/48,000# REAR
PUMP: N/A
WATER TANK: N/A
GENERATOR: N/A

THIS DRAWING IS A GENERAL CONCEPT AND DOES NOT REPRESENT A CONTRACT. CONTRACT SPECIFICATIONS SHALL PREVAIL OVER DRAWING.

CUSTOMER APPROVAL:

NAME: _____
TITLE: _____
DATE: _____

DIMENSIONS ARE APPROXIMATE & MAY VARY DUE TO BUILD ADJUSTMENTS.		SCALE	DWG SIZE	DRAWN BY	JCM	DATE
D	4/19/2019	REVISED TO 148 REAR OVERHANG BODY	MB			
C	12/11/2018	REVISED TO SPEC'R	MB			
103' KME TUFF TRUCK						
NEWBURY, MA						
GSO #10826						

SALES ENGINEER: Mark Boyle

ONE INDUSTRIAL COMPLEX - NESQUEHONING, PA 18240