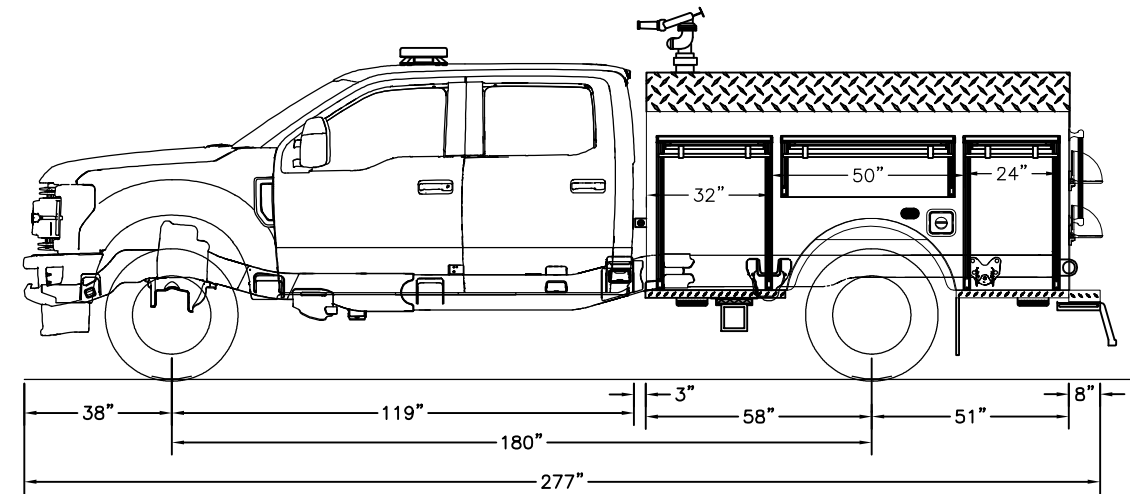
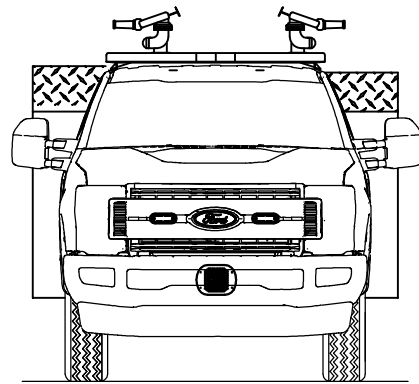
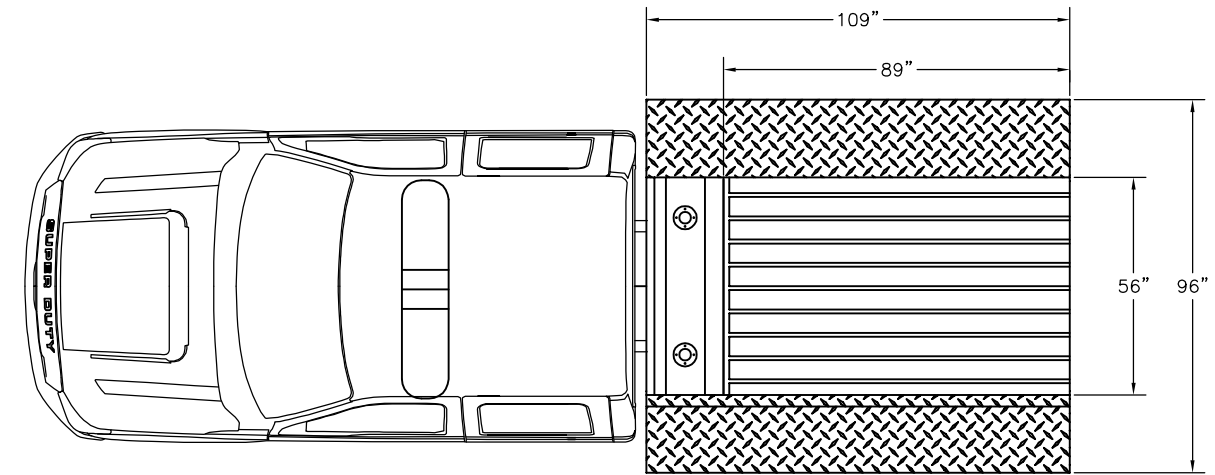
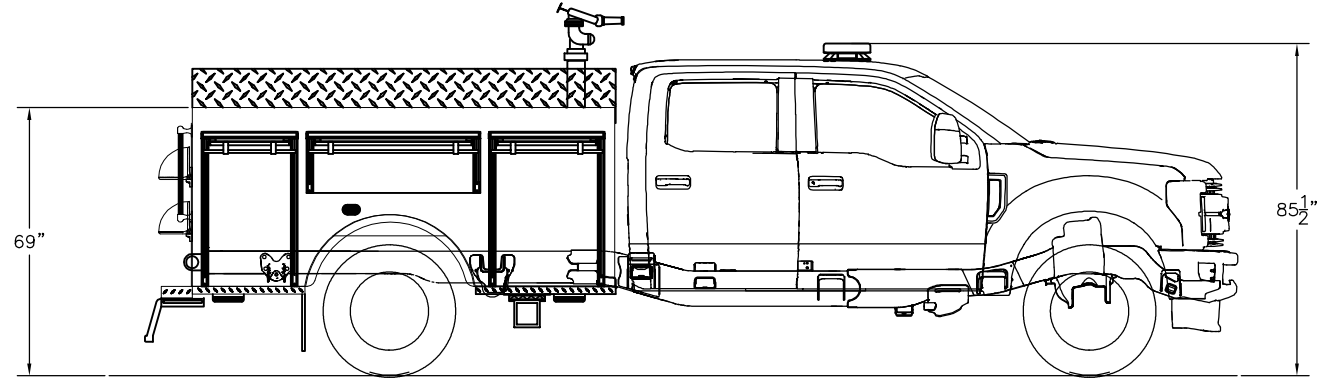
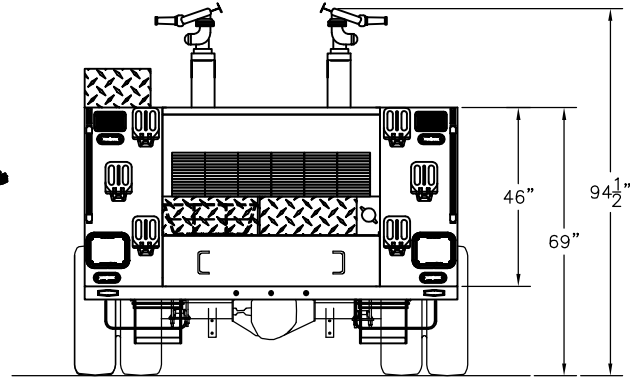


APPROX. HEIGHT



FORD F-550 4X2 4DR  
6.7L 330 HP/6 SPD AUTO/7,000# /14,706#  
19,500# G.V.W.R.

109" PATROL SKID UNIT (ALUMINUM)

THIS DRAWING IS A GENERAL CONFIGURATION AND MAY NOT NECESSARILY REFLECT ALL CONTRACTUAL REQUIREMENTS. CONTRACT SPECIFICATIONS SHALL PREVAIL OVER DRAWING.

CUSTOMER APPROVAL:

NAME: \_\_\_\_\_  
TITLE: \_\_\_\_\_  
DATE: \_\_\_\_\_

SYM	DATE	REVISION DESCRIPTION	APP'D
A		PROPOSAL	
SALES ENGINEER : Shawn McArdle			

DIMENSIONS ARE APPROXIMATE & MAY VARY DUE TO BUILD ADJUSTMENTS			
SCALE	DWG SIZE	DRAWN BY	DATE
1"=24"	D	P. RINGER	07/17/2017
		APPROVED BY TBA	
KME COMMERCIAL SKID UNIT			
DOW CHEMICALS			
GSO #10750			

