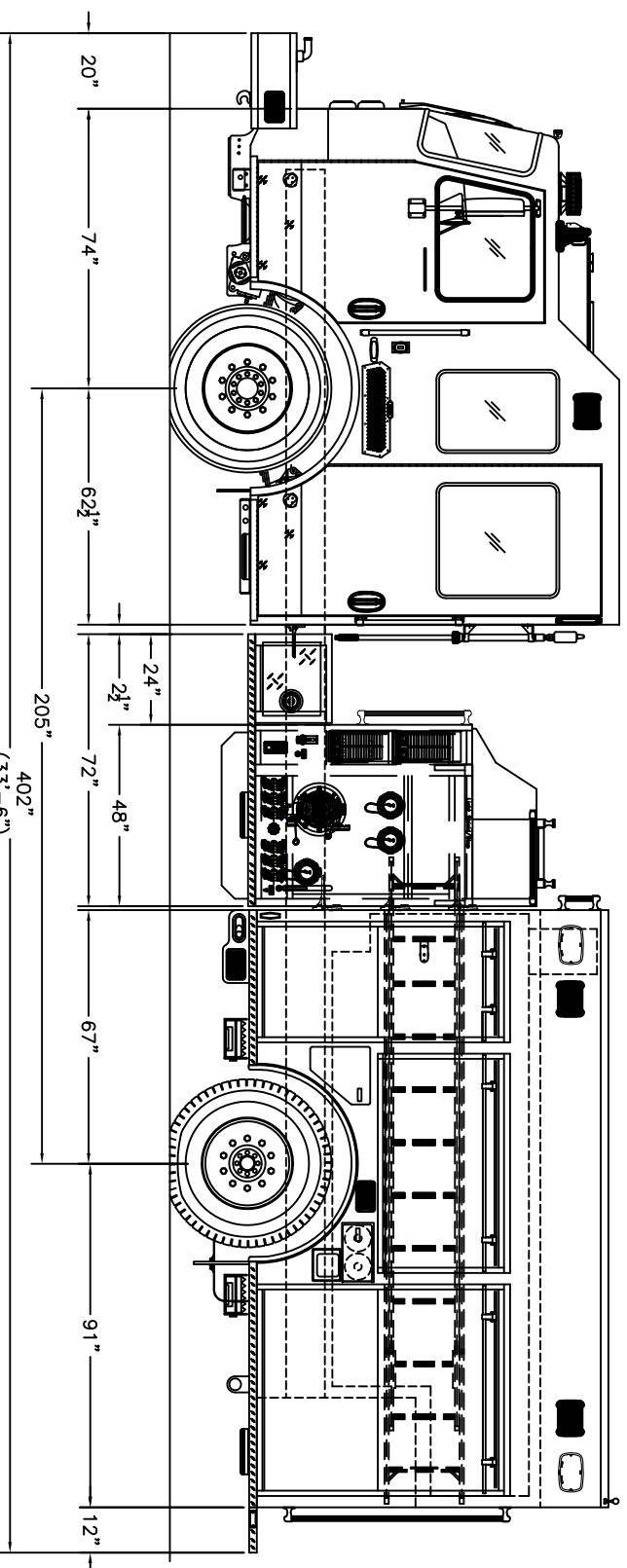
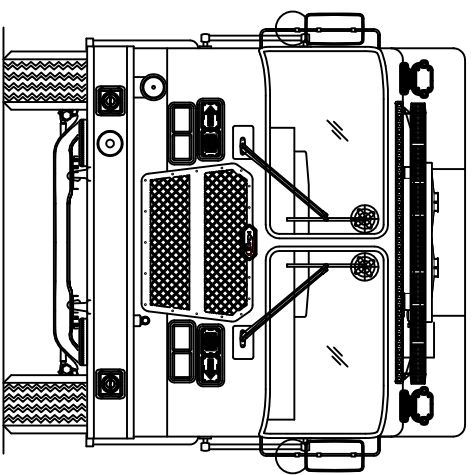
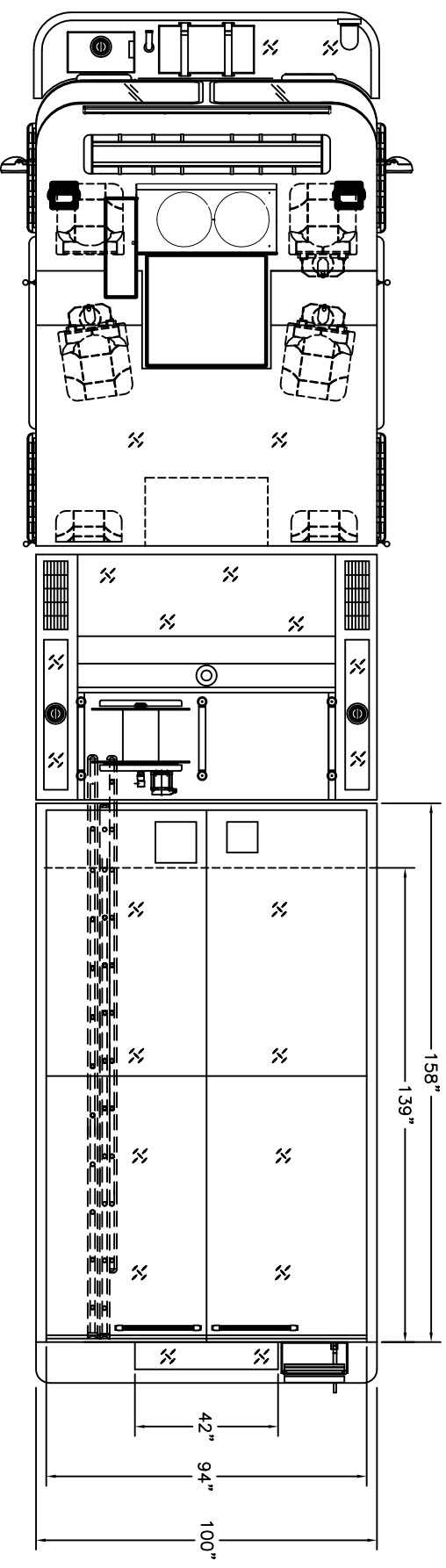
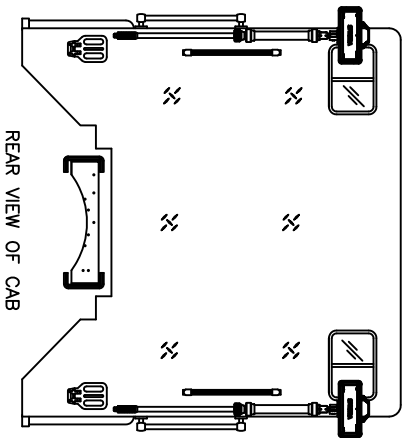
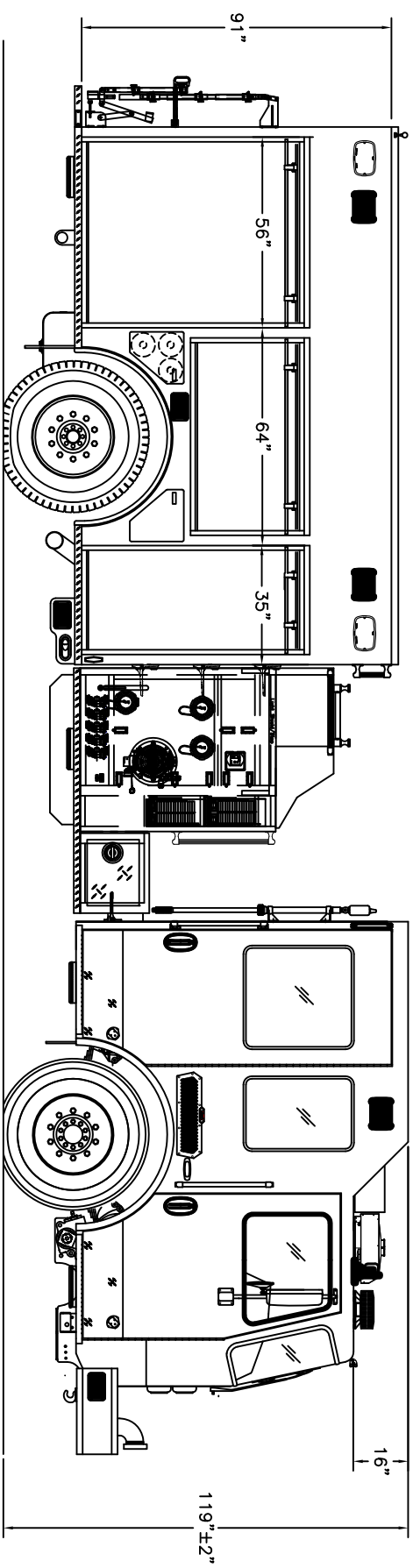
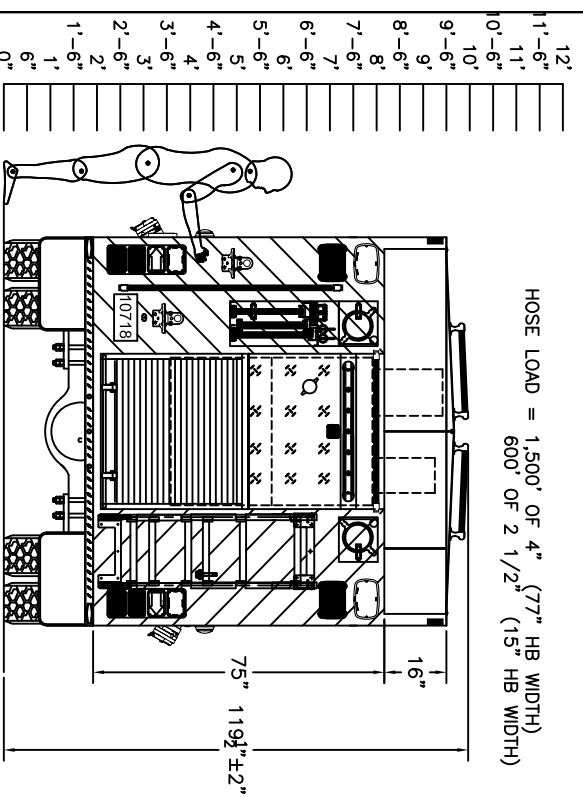


HOSE LOAD = 1,500' OF 4" (77" HB WIDTH)
600' OF 2 1/2" (15" HB WIDTH)



CAB: 100"W KME PANTHER MFD 10" RR
ENGINE & TRANS: CUMMINS L9 450 HP/ALLISON 3000 EVS
AXLES: 20,000# FRONT/27,000# REAR
PUMP: HALE DSD-150 1500 GPM SINGLE STAGE
WATER TANK: 1,000 GALLONS POLY/30 FOAM
BODY TYPE: .158" FLEX MEDIUM 3/16" ALUM
FOAM SYSTEM: FIRE RESEARCH MFA 201

THIS DRAWING IS A GENERAL CONFIGURATION AND MAY NOT NECESSARILY REFLECT ALL CONTRACTUAL REQUIREMENTS. CONTRACT SPECIFICATIONS SHALL PREVAIL OVER DRAWING.

CUSTOMER APPROVAL:

NAME:
TITLE:
DATE:

SYM	DATE	REVISION DESCRIPTION	APP'D
A	4/29/18	REVISED BODY LAYOUTS	SG
SALES ENGINEER :	SHAWN GOGOLA		

DIMENSIONS ARE APPROXIMATE & MAY VARY DUE TO BUILD ADJUSTMENTS
SCALE NONE
DWG SIZE DRAWN BY JIM
APPROVED BY J. BOROVYIS DATE 09MAY2017

KME CUSTOM PUMPER
RIVER ROUGE FD, MI
GSO #10718

