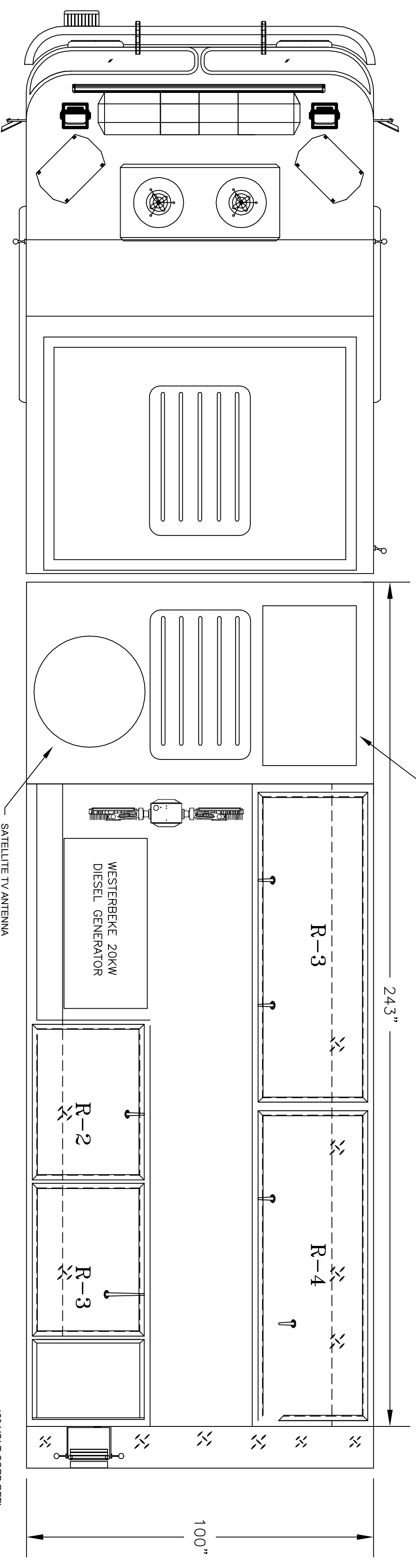
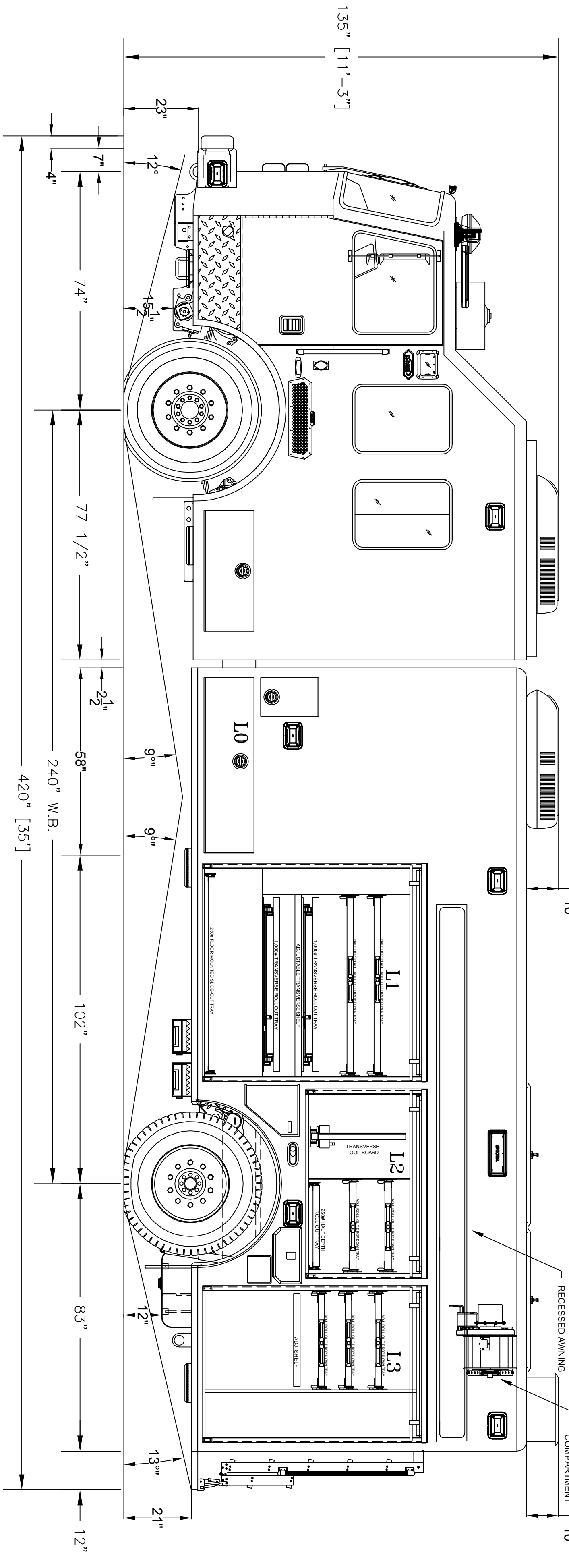
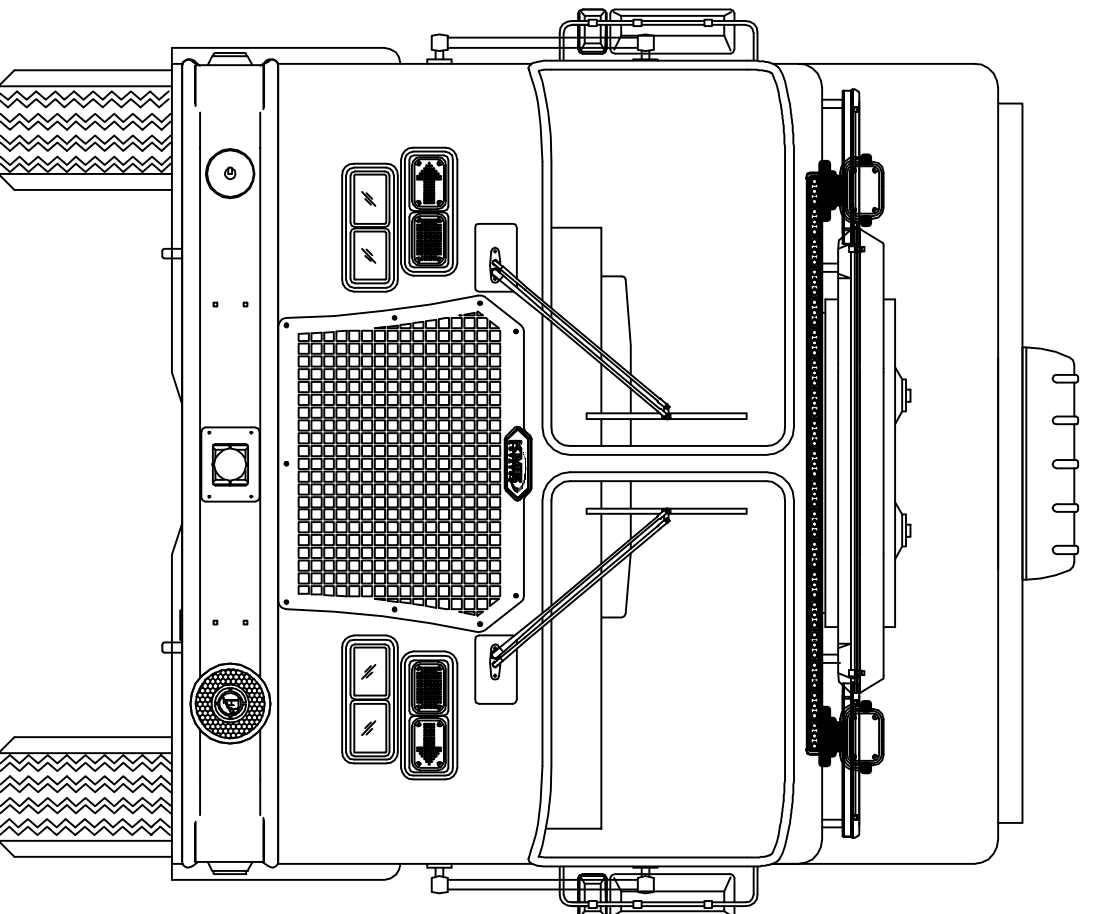


COMPARTMENT INTERIOR DIMENSIONS			
COMP.	HEIGHT	WIDTH	DEPTH
L1/R1	72	70	29/TRANS
L2/R2	39 3/4	62	TRANS
L3/R3	72	50 1/8	29

COMPARTMENT DOOR DIMENSIONS			
COMP.	HEIGHT	WIDTH	TYPE
L1/R1	68	67	ROLL-UP
L2/R2	36	58	ROLL-UP
L3/R3	68	48	ROLL-UP



CHASSIS: 100" W KME SEVERE SERVICE
CAB: XLFD WITH 22" RAISED ROOF
ENGINE: CUMMINS ISX12 500 HP/ALLISON 4500EVS
BODY: 3/16" ALUMINUM 3 COMP. HEAVY DUTY
GENERATOR: WESTERBEKE 20 KW DIESEL

AXLES: 22,800/31,000

THIS DRAWING IS A GENERAL CONFIGURATION AND MAY NOT NECESSARILY REFLECT ALL CONTRACTUAL REQUIREMENTS. CONTRACT SPECIFICATIONS SHALL PREVAIL OVER DRAWING.

CUSTOMER APPROVAL:

NAME:
TITLE:
DATE:

SYM	DATE	REVISION DESCRIPTION	APP'D
E	06/21/2017	CAMERA TOWER RISER ADDITION	JCM
D	2/19/2017	BODY ENGINEERING REVISIONS	JCM
C	12/9/2016	BODY REVISIONS	JCM
B	11/10/2016	PRECONSTRUCTION REVISIONS	JCM
A	9/16/2016	PRECONSTRUCTION REVISIONS	JCM

SALES ENGINEER : JAMES MACHLING

KME
KOVATC H
 KOVATCH MOBILE EQUIPMENT
 ONE INDUSTRIAL COMPLEX - NESQUEHONING, PA 18240

DIMENSIONS ARE APPROXIMATE & MAY VARY DUE TO BUILD ADJUSTMENTS		
SCALE	DWG SIZE	DATE
1"=8'	D	9/2/2016

KME CUSTOM HEAVY RESCUE
LA COUNTY PD
GSO 10444