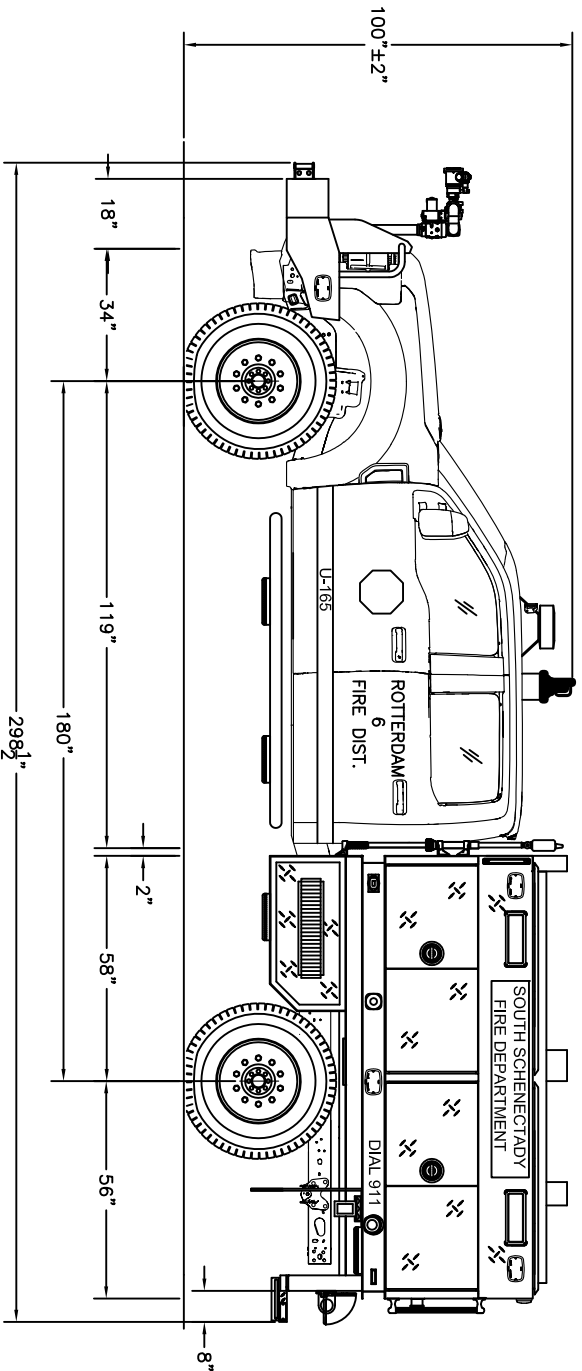
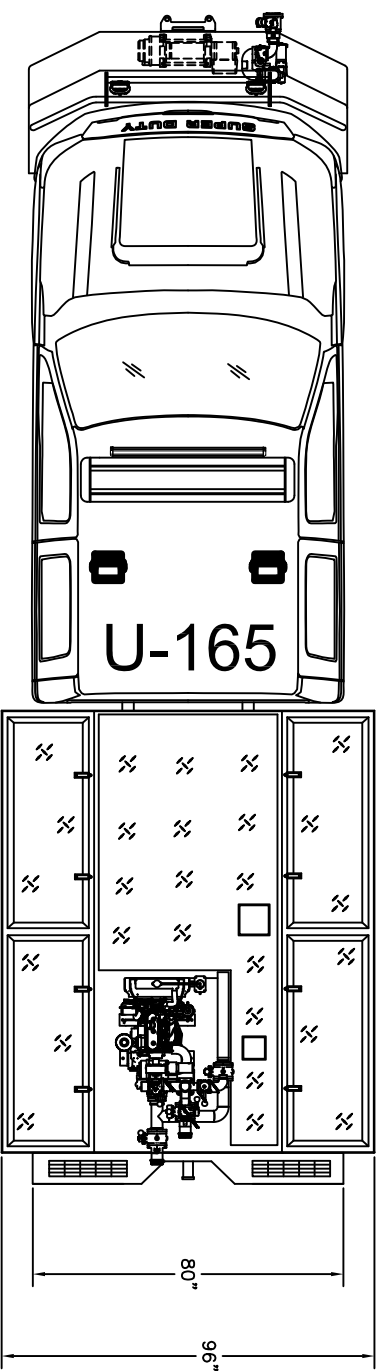
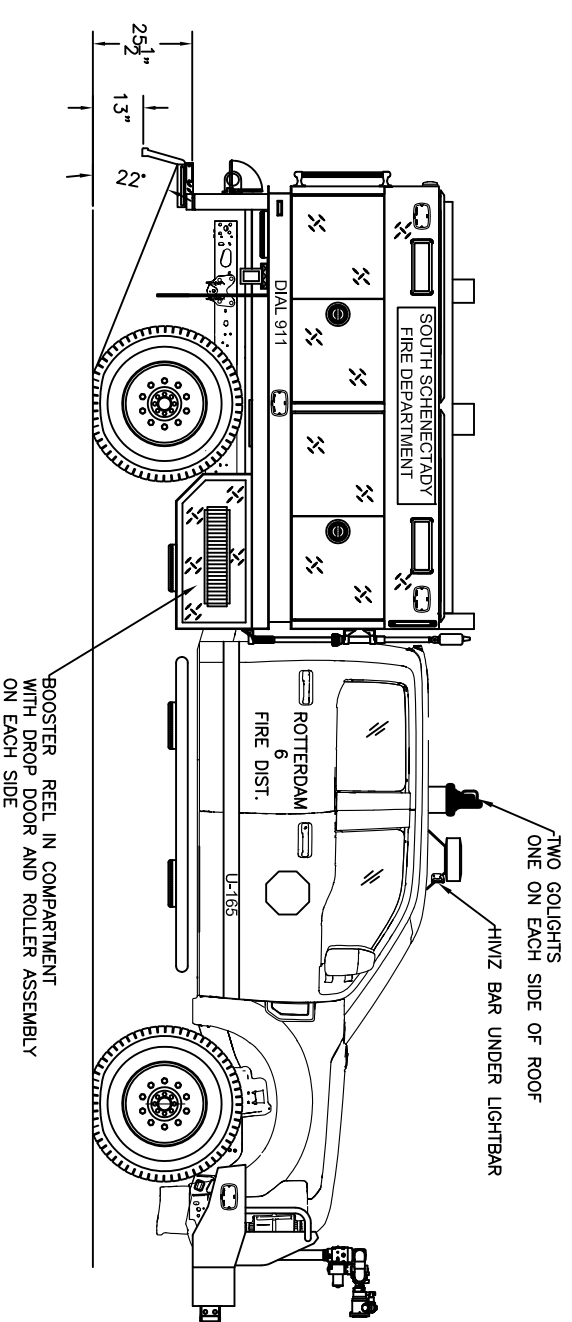
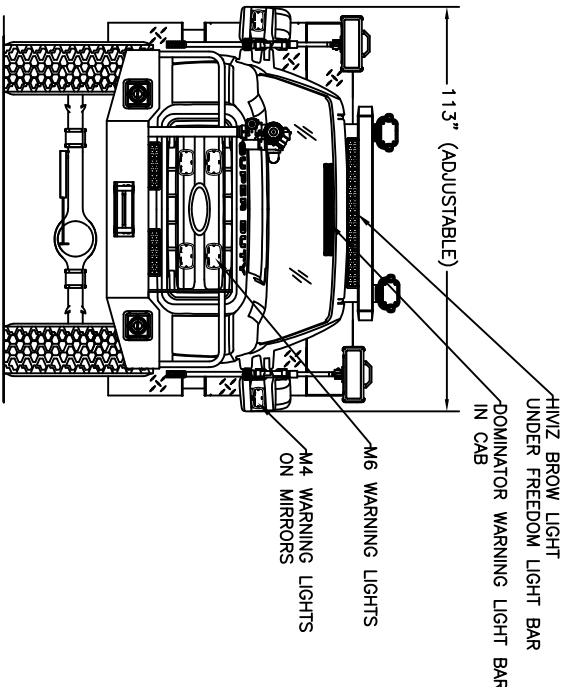


NOTES: 1. THE LETTERING SHOWN ON THIS DRAWING IS FOR REFERENCE ONLY. THE ACTUAL LETTERING WILL MATCH YOUR EXISTING APPARATUS AND SPECIFICATIONS.



2017 FORD F-550 4x4  
 4 DOOR CREW CAB  
 DARLEY 2-1/2 AGE PUMP 42K KUBOTA DIESEL  
 400 WATER/30 FOAM GALLON TANK  
 114" FLATBED, 3/16 ALUMINUM  
 SCOTTY AROUND THE PUMP FOAM SYSTEM

CUSTOMER APPROVAL:  
 NAME:  
 TITLE:  
 DATE:

SYM	DATE	REVISION DESCRIPTION	APP'D
C	9/28/16	BODY RELEASE	SG
B	7/28/16	REVISED TO SPEC R	SG
A	5/18/16	WORKING DRAWING	SG

DIMENSIONS ARE APPROXIMATE & MAY VARY DUE TO BUILD ADJUSTMENTS  
 SCALE 1"=24"  
 DWG SIZE DRAWN BY JIM  
 DATE 12/01/2015  
 APPROVED BY  
 KME COMMERCIAL SKID  
 ROTTERDAM FIRE DISTRICT, NY  
 GSO #10394

KOVATCH MOBILE EQUIPMENT  
 ONE INDUSTRIAL COMPLEX - NESQUEHONING, PA 16840

THIS DRAWING IS A GENERAL CONFIGURATION AND MAY NOT NECESSARILY REFLECT ALL CONTRACTUAL REQUIREMENTS. CONTRACT SPECIFICATIONS SHALL PREVAIL OVER DRAWING.