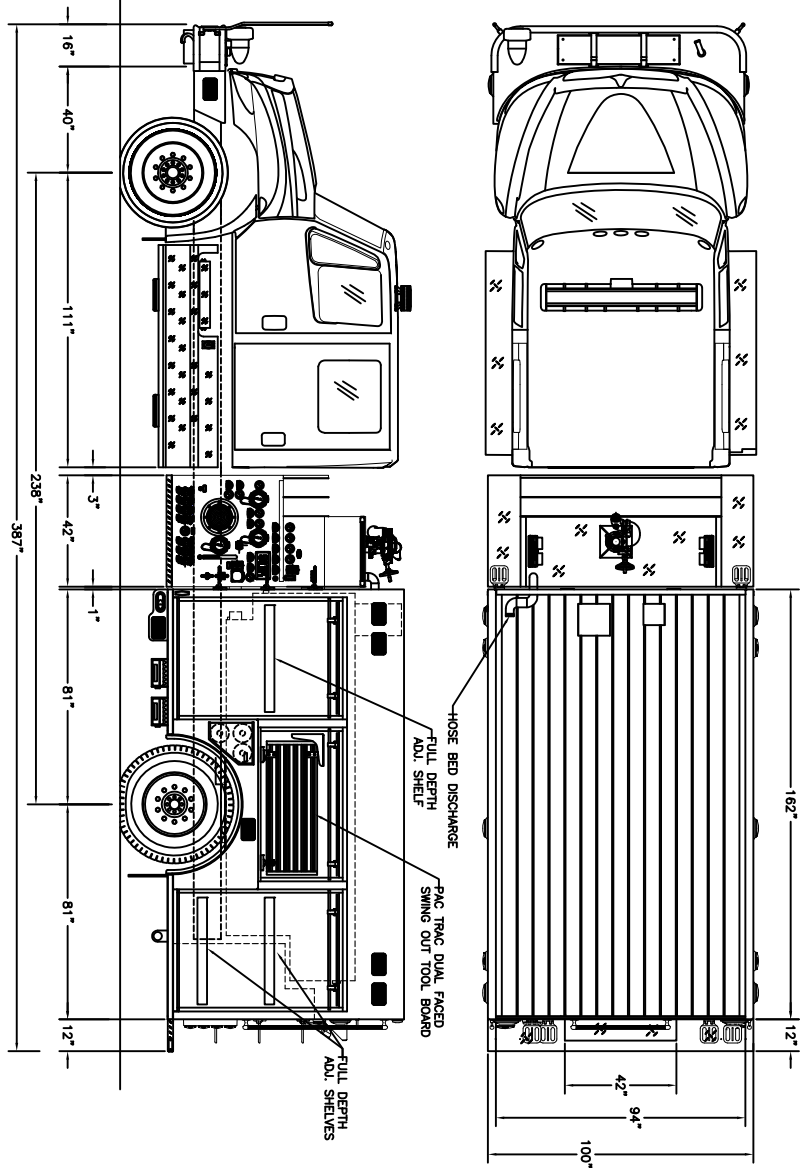
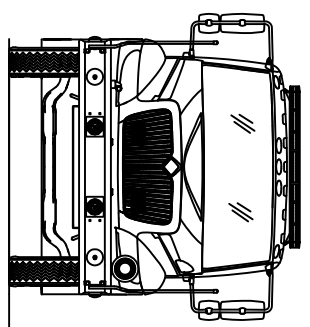
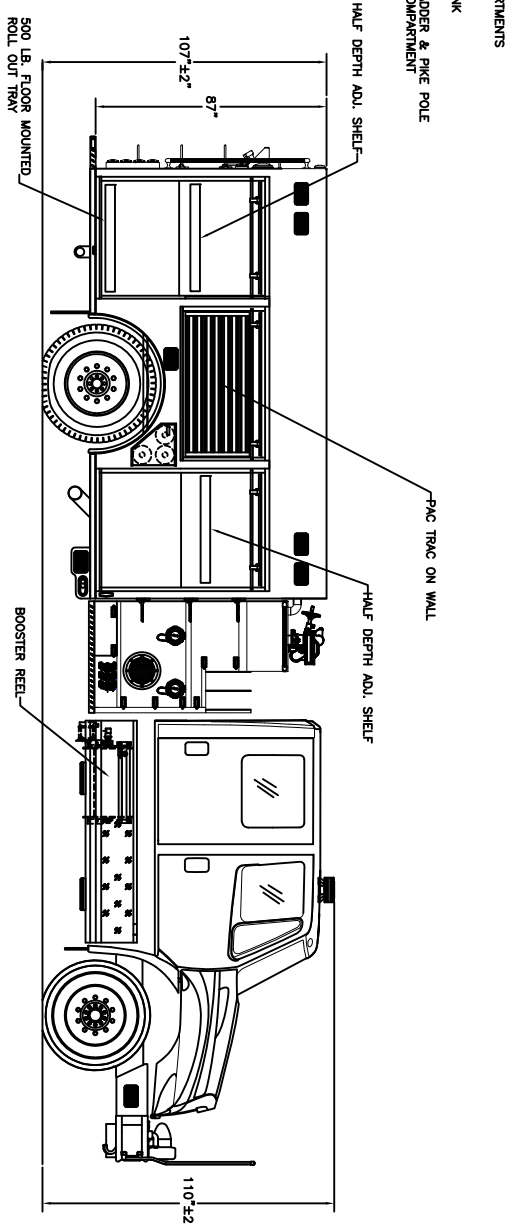


LADDERS, SUCTION HOSES & PIKE POLES WILL NOT BE SUPPLIED BY KME



CHASSIS

CHASSIS:	INTERNATIONAL 4400 SBA 432
CAB:	4 DOOR
ENGINE:	IN 330 HP
TRANSMISSION:	ATLISON 3000 ERS
REAR AXLE:	24,000 LB.
REAR AXLE:	24,000 LB.

PUMP

PUMP:	HALE DSD-125 1250 GPM SINGLE STAGE
INVALES:	
DRIVER SIDE:	6" & 2-1/2"
FRONT:	N/A
REAR:	N/A
DISCHARGES:	
DRIVER SIDE:	(1) 2-1/2"
FRONT:	(1) 2-1/2"
REAR:	(1) 1-1/2" OS HB
DECK GUN:	(1) 3"
OTHER:	(2) 1-3/4" CROSSWAYS BOOSTER REEL OS REAR CAB STEP

TANK

TANK:	POLY
WATER:	590 GALLONS
EXTRA PULS:	N/A
DUPES:	N/A

BODY

BODY TYPE:	CHALLENGER WB
MATERIAL:	3/16 ALUMINUM
CONTOUR/RENOVATION:	HEIGHT/TAIL DEPTH
DRIVER SIDE:	FULL HEIGHT/SPIN DEPTH
FRONT:	
REAR:	
BOOSTER:	TWO (2) ADJ. 600" OF 2.5"
HOSE LOAD:	1000' OF 5"

MISC.

GENERATOR:	N/A
POLE SYSTEM:	HALE POUNDLOGX 2.1

CUSTOMER APPROVAL:

NAME: _____

TITLE: _____

DATE: _____

REVISION	DATE	DESCRIPTION
A	8/9/16	REVISED TO SPEC B
SVW	DATE	REVISION DESCRIPTION
SALES ENGINEER:	SEAVN GOGOLA	

THIS DRAWING IS A GENERAL CONCEPT AND MAY NOT NECESSARILY REFLECT ALL CONTRACTUAL REQUIREMENTS. CONTRACT SPECIFICATIONS SHALL PREVAIL OVER DRAWING.

KME KOVATCH

KOVATCH MOBILE EQUIPMENT
ONE DUNDAS STREET, SUITE 100
SCARBOROUGH, ONTARIO, M1V 1S6

DATE: 8-19-16 SCALE: 1"=24" DWG SIZE: DRAWN BY: Z.ZASCHUNEK APPROVED BY: T.MAYER

KME COMMERCIAL PUMPER

IDABEL, OK
GSO#10248