

VECTOR

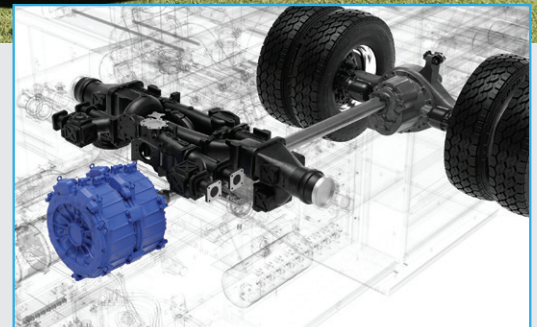
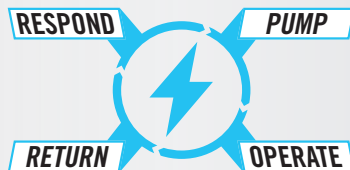
100% ELECTRIC POWER. ENDURING PERFORMANCE.



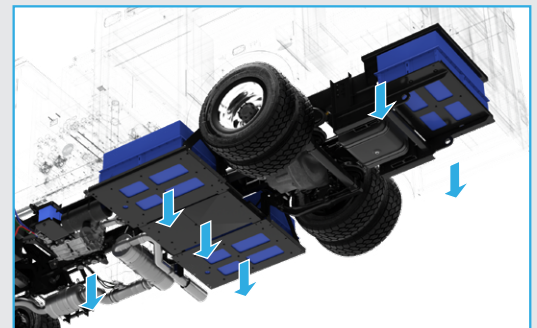
VECTOR™ IS THE FIRST NORTH AMERICAN-STYLE, FULLY ELECTRIC FIRE TRUCK.

One of the most exciting developments in the firefighting industry is here. Vector™ answers the call as the first North American-style fully electric fire truck that's innovatively engineered so firefighters can drive and pump on electric power only. Energized with proven global technology and customizable to meet your department's needs. Zero tailpipe emissions. Zero tailpipe greenhouse gas. Reduced noise pollution and quieter on scene. Vector is taking firefighting to an extraordinary new level.

Vector is a genuine all-electric fire truck that **responds on electric, pumps on electric, operates at the scene on electric and returns on electric.**



FULLY ELECTRIC DRIVE AND PUMP OPERATIONS WITH TWO HOURS OF PUMPING AT 1250 GPM (4730 LPM) FROM DRAFT

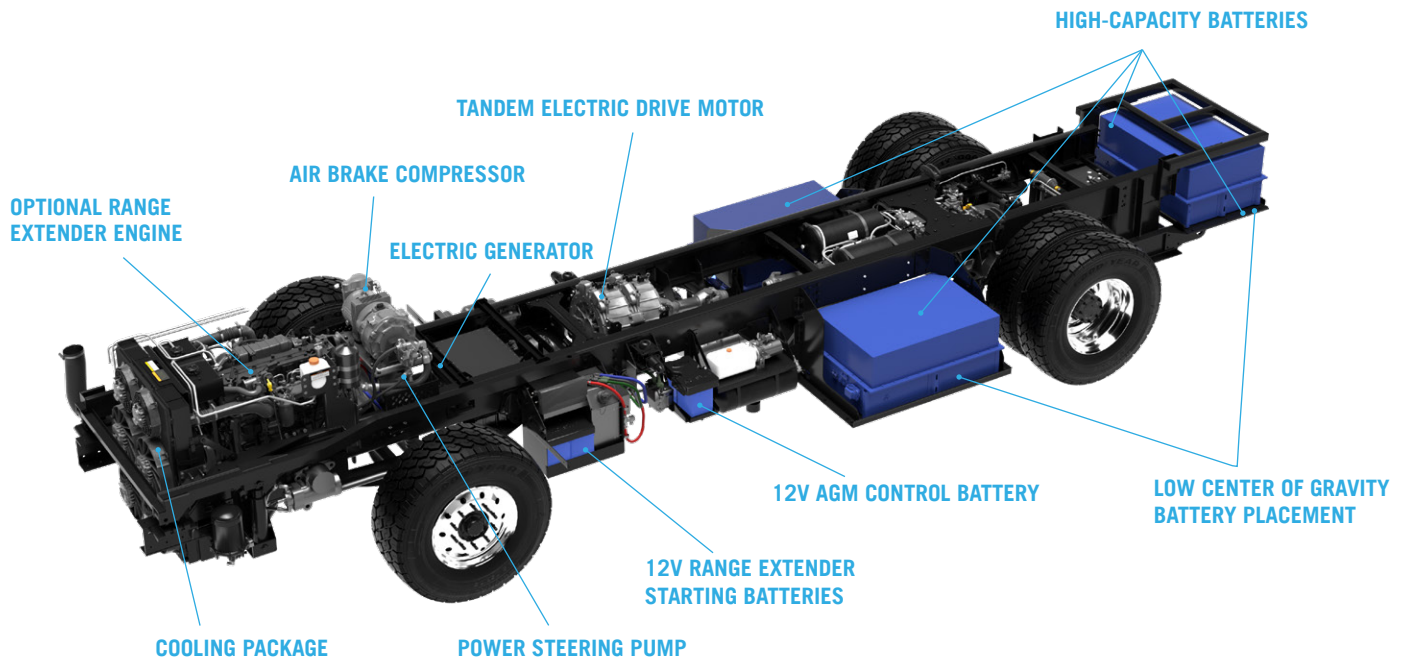


TWO TO SIX TIMES MORE BATTERY POWER—327 KWH TOTAL CAPACITY WITH UNDERSIDE REMOVAL ACCESS



SCAN THE CODE
to learn more.





Fully Electric Drive and Pump Operations

- Performs 100% of fire ground duties, 100% electrical.
- Delivers unrivaled performance, range and efficiency.
- Electric motor takes the place of the diesel engine, driving the pump or the rear axle in normal split shaft operation.
- Designed with the same components that are used on diesel-driven fire apparatus.
- NFPA/ULC compliant completely from battery power.



Battery Performance that Lasts

- Two to six times more battery power.
- High capacity batteries with 327 kWh of total power.
- 800 volt DC.
- Allows for the longest electric pump duration.
- EV battery system runs normal 12-volt accessories.
- Battery Thermal Management System (BTMS) keeps the EV batteries at optimal temperature for best performance and longer life.
- 120-volt line voltage option.



Telematics

- View Vector data via a secure web connection:
 - Map view of vehicle routes
 - Vehicle Speed along the route
 - Power consumed
 - EV Battery State of Charge
 - Over 40 other vehicle values



Locally Stocked Components

- Critical Vector parts will be stocked by REV Parts including:
 - Motors
 - Generator
 - Control Modules
- Batteries will be stocked in North America.

CUSTOMIZED TO DEPARTMENT REQUIREMENTS

- Up to 1250 GPM (4739 LPM) pump capacity with NFPA/ULC all-electric certification.
- 1500 GPM (5680 LPM) or higher certification with range extender operation.
- Water/foam tank options:
 - 530 gal. (2000 L)

